

**Since 1947**

**WHEELS  
HUBS  
SPINDLES**

**CANADIAN TOOL & DIE LTD.**

**WINNIPEG • CANADA**

# ASSOCIATIONS



CANADIAN TOOL & DIE IS PROUD TO BE ASSOCIATED WITH:

- Society of Manufacturing Engineers
- American Foundrymen's Association
- American Society for Metals
- American Society of Agricultural Engineers
- American Society for Quality Control
- Association of Professional Engineers
- Canadian society of Agricultural Engineering
- Canadian Credit Institute
- FEMA
- PIMA

# NOTES



**CANADIAN TOOL & DIE LTD.**

1331 Chevrier Blvd., Winnipeg, Manitoba, Canada R3T 1Y4  
Tel 204/453-6833 Fax 204/453-3803 e mail CDNT00L1@resonet.com



DESCRIPTION	PAGE
Warranty	3
General Information - Wheels, Hubs & spindles	4 - 5
Utility Wheels an Hubs	Ask for separate brochure
Industrial Wheels and Hubs	Ask for separate brochure
Agricultural Wheels and Hubs - 4 Bolt	6 - 7
- 5 Bolt	8 - 9
- 6 Bolt	10 - 13
- 8 Bolt	14 - 16
- 10 Bolt	17 - 18
Drop Centre Rims	19
Spindles	20 - 21
Hub Accessories	22 - 24
Hub Index Complete	25
Wheel Index by Rim Size	26

## LIMITED WARRANTY

CANADIAN TOOL & DIE LTD. warrants its products to be free of defects in workmanship and material, for a period of one year from date of purchase. Products may be returned with authorization from a CTD representative and shipping charges must be prepaid.

Due to our continuing research program, CTD reserves the right to make improvements, changes in specifications or materials without notice.

Contact factory for a complete warranty policy and conditions.

Canadian Tool & Die Ltd.

## CANADIAN TOOL & DIE LTD.

1331 Chevrier Blvd., Winnipeg, Manitoba, Canada R3T 1Y4  
Tel 204/453-6833 Fax 204/453-3803 e mail CDNT00L1@resonet.com



# WHEELS, HUBS and SPINDLES

## CONSTRUCTION



All hubs, spindles and wheels illustrated in this catalogue are the most common models taken from a selection of over 180. Other models are available on request.

All hubs, spindles and wheel are priced F.O.B. Winnipeg, Canada.

## WHEELS

The bolt circle and pilot diameter of agricultural low speed wheels have been specifically designed not to accept automotive-industrial hubs.

Wheel capacities are based on a free rolling application, for normal implement service, at tractor speed ( 20 m.p.h.). For severe service involving extreme side load and excessive speed, field testing is required, and will reduce capacity.

Wheels can be supplied with valve stem guard and special offsets at extra cost.

Wheels can be painted in the following standard colors: black, appliance white, IH off-white and JD yellow. Colors not listed above can be supplied at extra cost.

All wheels packaged for shipping as shown on page 5.

## HUBS

The bolt circle and pilot diameter of agricultural low speed hubs have been specifically designed not to accept automotive wheels.

Hub capacities are established on a 20,000 mile, B10 bearing life at tractor speed. (20 m.p.h.).

Hubs are made of gray iron or ductile iron. Ductile indicated in Hub order No. by letter "D".

Hubs are not painted but can be supplied painted at extra cost.

All hubs can be supplied with grease fittings on request at extra cost. All hubs must be packed with grease during assembly and lubricated every 1000 hours thereafter (as recommend by S.A.E. standards for lubricating industrial machinery) to assure longer bearing life.

All hub component parts, except cups and studs are shipped separately.

## SPINDLES

All spindles are made of medium carbon steel bars, designed for 14,000 PSI maximum fiber stress on the spindle in the bearing and seal area. Straight spindles are made from hot rolled or cold drawn bars. Bent spindles are made from cold drawn bars only and have a minimum bend radius "R" equivalent to its diameter ( See page 20).

Determination of required spindle strength inboard of the seal seat is the responsibility of the buyer.

***Spindles, hubs, and component parts can be supplied assembled and greased at extra cost.***

Canadian Tool & Die Ltd. reserves the right to change specifications , materials and/or designs without prior warning. Due to the diversity of applications to which our products may be subjected, CTD offers load ratings as a guide only. It is the buyer's responsibility to determine suitability for the intended use of our product(s). Please consult with our sales and engineering personnel.



page 4



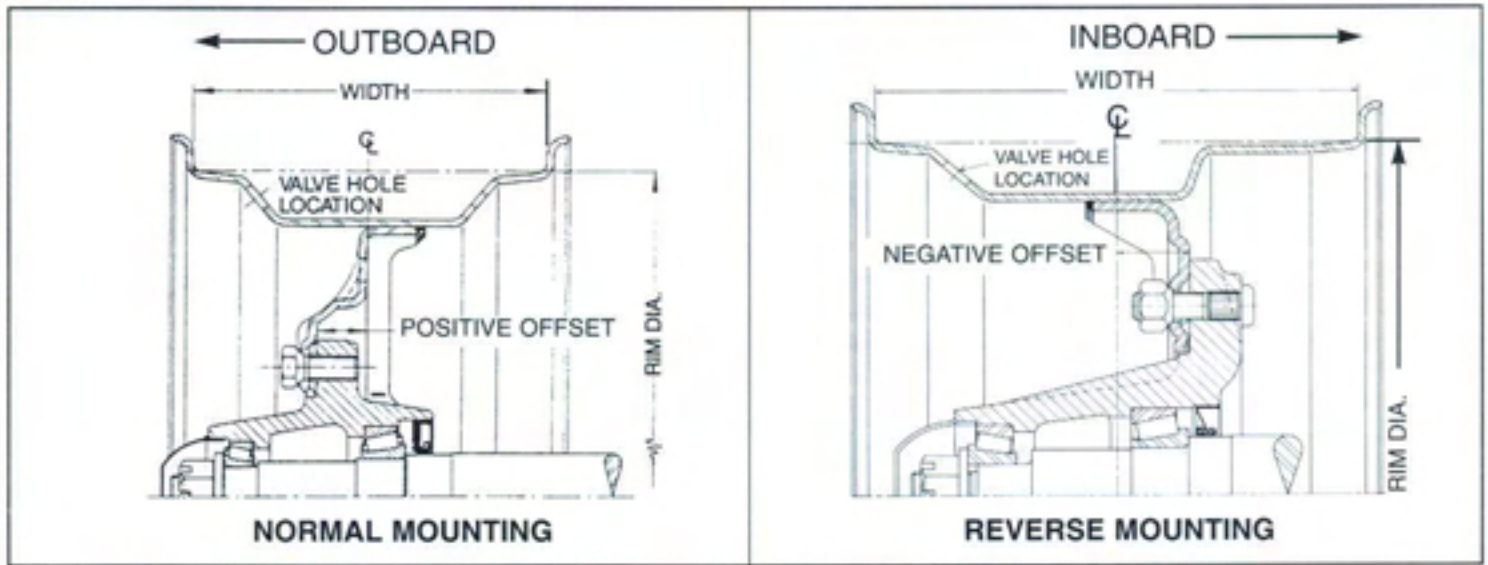
**CANADIAN TOOL & DIE LTD.**

1331 Chevrier Blvd., Winnipeg, Manitoba, Canada R3T 1Y4  
Tel 204/453-6833 Fax 204/453-3803 e mail CDNT00L1@resonet.com



# GENERAL INFORMATION - WHEELS

## WHEEL OFFSET

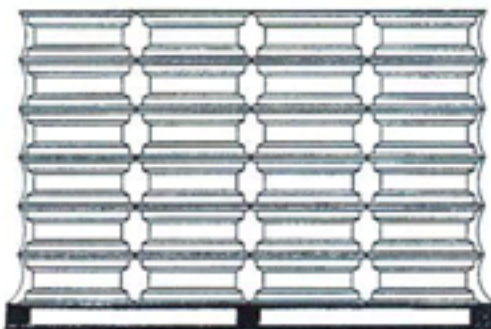


**OFFSET:** (as defined by S.A.E. standards) is the distance between mounting face of the flange and the rim centerline.

**POSITIVE OFFSET:** (INSET) This distance is termed positive when the mounting face is outboard of the rim centerline.

**NEGATIVE OFFSET:** (OUTSET) This distance is termed negative when the mounting face is inboard of the rim centerline.

## PACKAGING



SHRINK WRAPPED PALLET

RIM SIZE	WHEELS PER PALLET	PALLET SIZE IN INCHES		
		WIDTH	LENGTH	HEIGHT
14 X 5 KB	56	44	53	44.25
14 X 6 KB	48	44	53	45
14 X 8 KB	40	44	53	47.25
15 X 4.5KB	64	44	53	46
15 X 5 KB	56	44	53	44.25
15 X 6 LB	48	44	53	45.25
15 X 8 LB	40	44	53	47.75
15 X 10LB	32	44	53	47
16 X 6 LB	36	44	53	45.25
16 X 8 LB	30	44	53	45.75
16 X 10LB	24	44	53	47

## CANADIAN TOOL & DIE LTD.

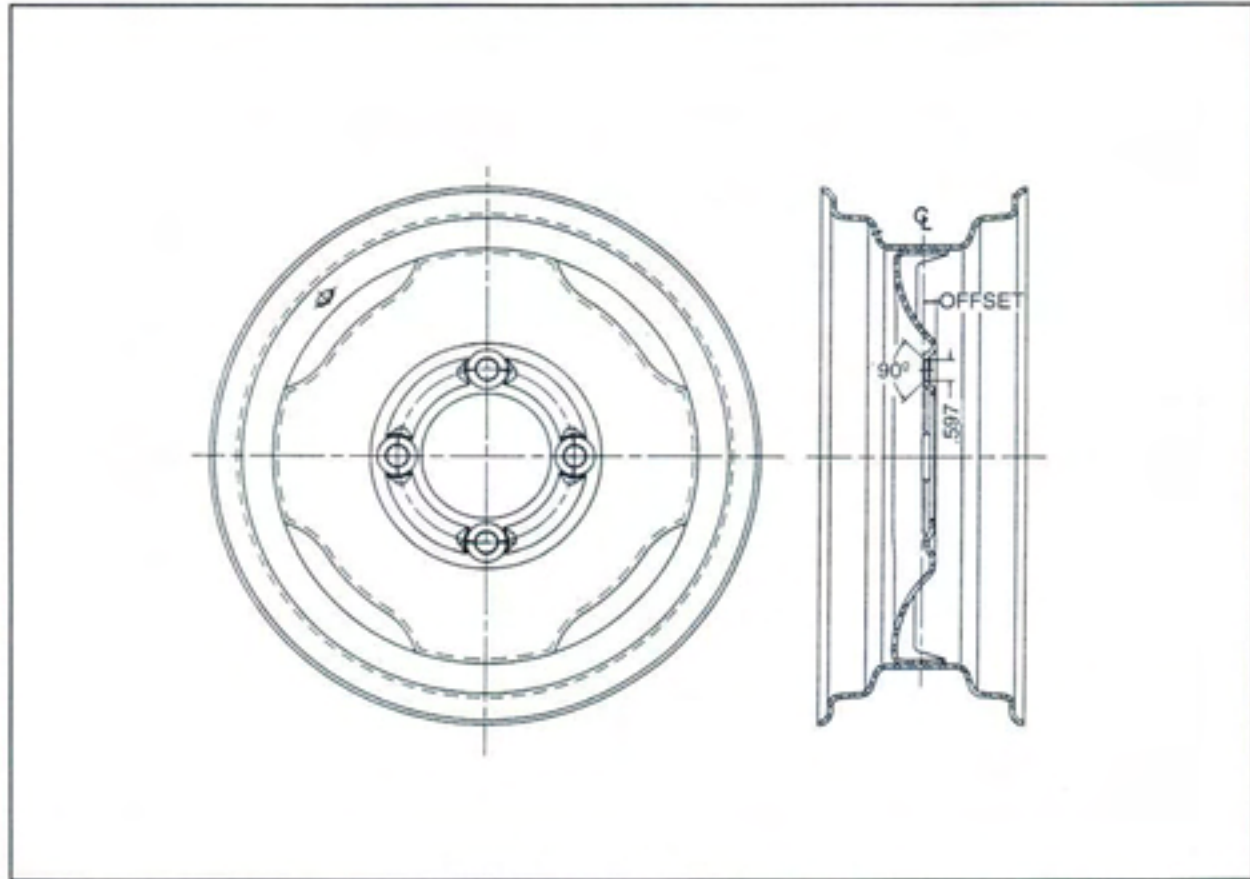
1331 Chevrier Blvd., Winnipeg, Manitoba, Canada R3T 1Y4  
 Tel 204/453-6833 Fax 204/453-3803 e mail CDNT00L1@resonet.com



# 14" AND 15" DIA. LIGHT DUTY WHEELS

## 4 BOLT, 5" BOLT CIRCLE, 3.62" PILOT

### Concave Implement Wheels



ORDERING NO.	RIM	OFFSET	CAPACITY (lbs.)
14051-0431N1N	14 X 5 KB	-.38	1250
15041-0432N1N	15 X 4.5 KB	-.38	1250
15051-0432N1N	15 X 5 KB	-.38	1250
15061-0432N1N	15 X 6 LB	-.38	1250
15061-0433N1N	15 X 6 LB	-.38	1250



## CANADIAN TOOL & DIE LTD.

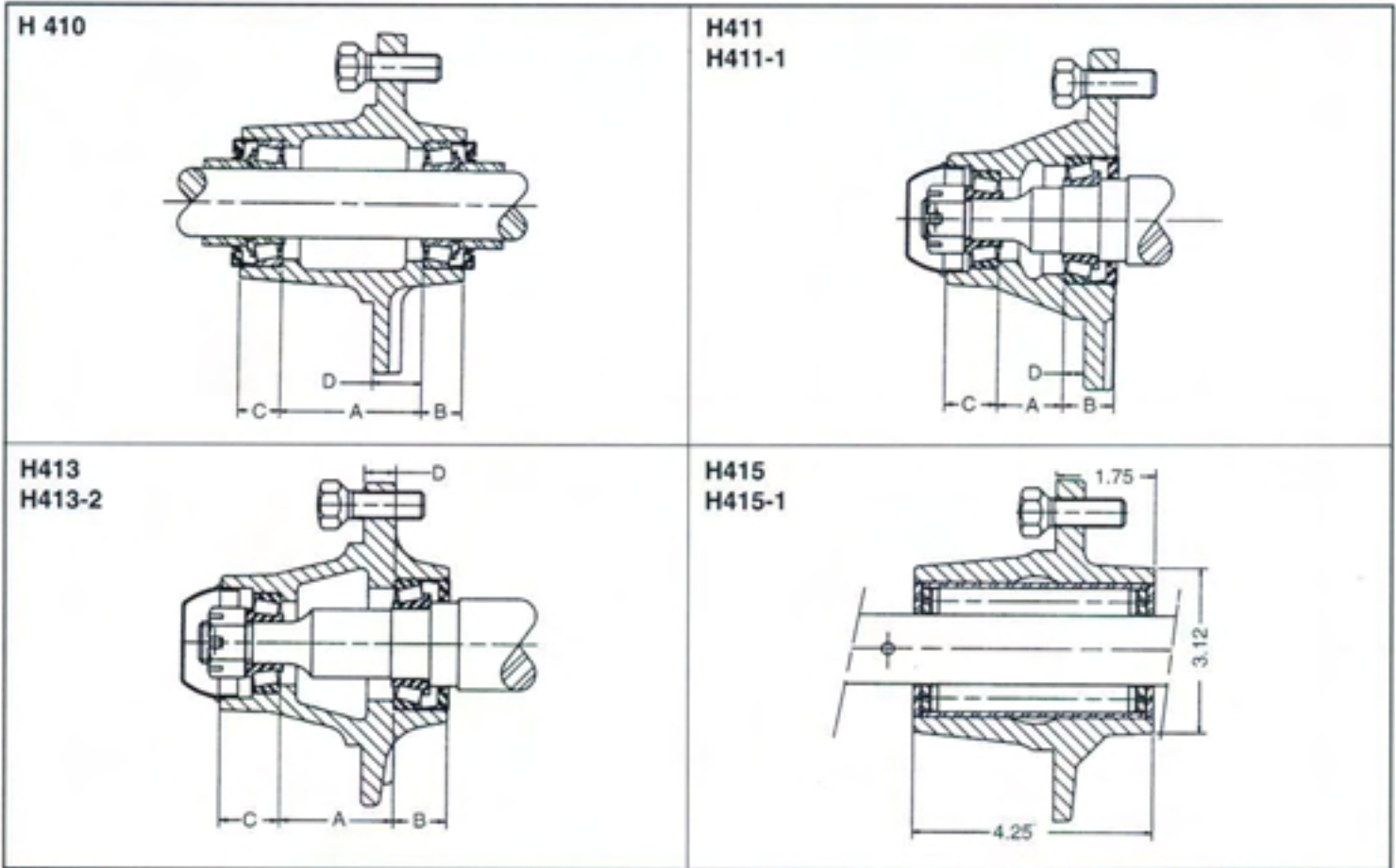
1331 Chevrier Blvd., Winnipeg, Manitoba, Canada R3T 1Y4  
Tel 204/453-6833 Fax 204/453-3803 e mail CDNT00L1@resonet.com



# HUBS & COMPONENT PARTS

## 4 BOLT, 5" BOLT CIRCLE, 3.62" PILOT

for Agricultural Wheels shown on page 6



HUB ORDER NO.	BEARING ORDERING NO.						PARTS ORDERING NO.			A	B	C	D	* CAP LBS.	SPINDLE SERIES PAGE 20
	INNER CUP	OUTER CUP	INNER CONE	INNER BORE	OUTER CONE	OUTER BORE	DUST CAP	WHEEL BOLT	GREASE SEAL						
H410	LM-67010	LM-67010	LM-67048	1.25	LM-67048	1.25	-	WB10	SE12	2.53	.71	.71	.87	1500	S410-
H411	LM-67010	LM-11910	JM-67048	1.25	LM-11949	.75	DC12	WB10	SE11	1.18	.93	.93	.37	1250	S411-
H411-1	LM-67010	LM-11910	LM-67048	1.25	LM-11949	.75	DC12	WB10	SE12	1.18	.93	.93	.37	1250	S411-1-
H413	LM-67010	LM-11910	LM-67048	1.25	LM-11949	.75	DC24	WB10	SE11	2.00	.93	1.06	.56	1500	S413-
H413-2	LM-67010	LM-11910	LM-67048	1.25	LM-11949	.75	DC12	WB10	SE12	2.00	.93	1.06	.56	1500	S413-2-
H415	Straight Roller Brg. No. PA98764NA 1.25 I.D.						-	WB10	-	-	-	-	-	1260	S415-
H415-1	Straight Roller Brg. No. PA96964NA 1.50 I.D.						-	WB10	-	-	-	-	-	1260	S415-

\* Hub Capacities Based on .38 Negative Offset, 20,000 Mile Minimum Bearing Life at Tractor Speed (20MPH) and 14,000PSI. Maximum Fiber Stress on the Spindle.

All Hubs available with WB55 Wheel Bolt (1/2" - 20 UNF-2A x 1 1/2" LG).

### CANADIAN TOOL & DIE LTD.

1331 Chevrier Blvd., Winnipeg, Manitoba, Canada R3T 1Y4

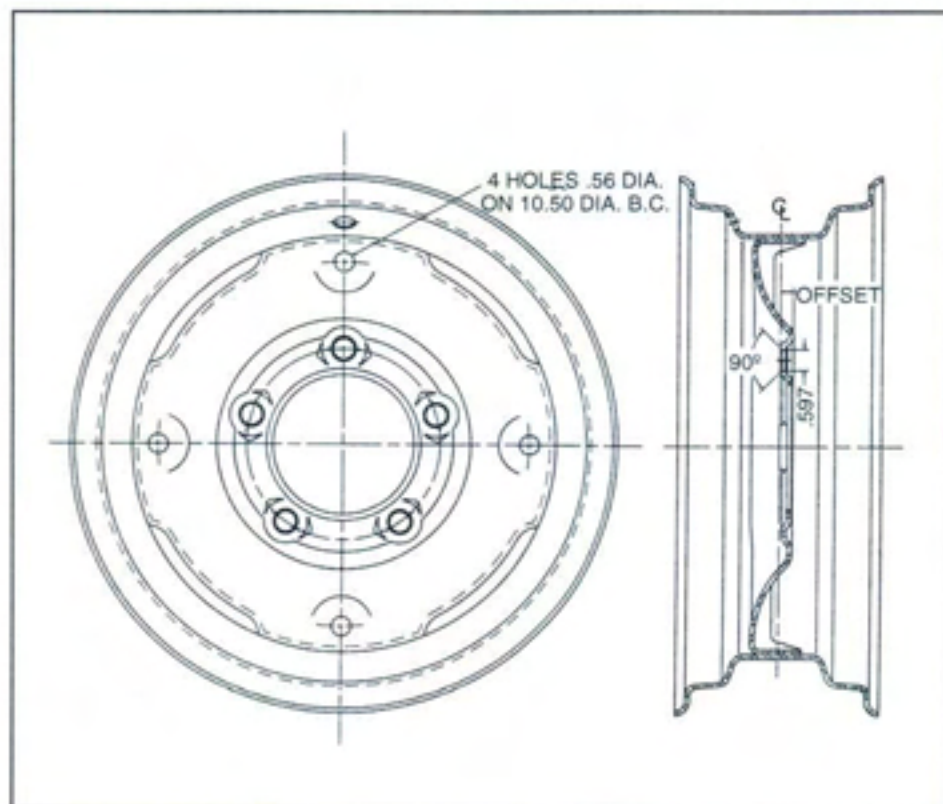
Tel 204/453-6833 Fax 204/453-3803 e mail CDNT00L1@resonet.com



# 14" and 15" DIA. MEDIUM DUTY WHEELS

## 5 BOLT, 5.50" BOLT CIRCLE, 4" PILOT

### Concave Implement wheels



ORDERING NO.	RIM	OFFSET	CAPACITY
14051-0541N1N	14 X 5 KB	-.25	2000
14063-0541N1N	14 X 6 KB	-.25	2000
14081-0541N1N	14 X 8 KB	-.25	2000
15041-0542N1N	15 X 4.5 KB	-.38	1250
15051-0542N1N	15 X 5 KB	-.25	2000
15061-0542N1N	15 X 6 LB	-.25	2000
15081-0542N1N	15 X 8 LB	-.25	2000



## CANADIAN TOOL & DIE LTD.

1331 Chevrier Blvd., Winnipeg, Manitoba, Canada R3T 1Y4  
Tel 204/453-6833 Fax 204/453-3803 e mail CDNT00L1@resonet.com

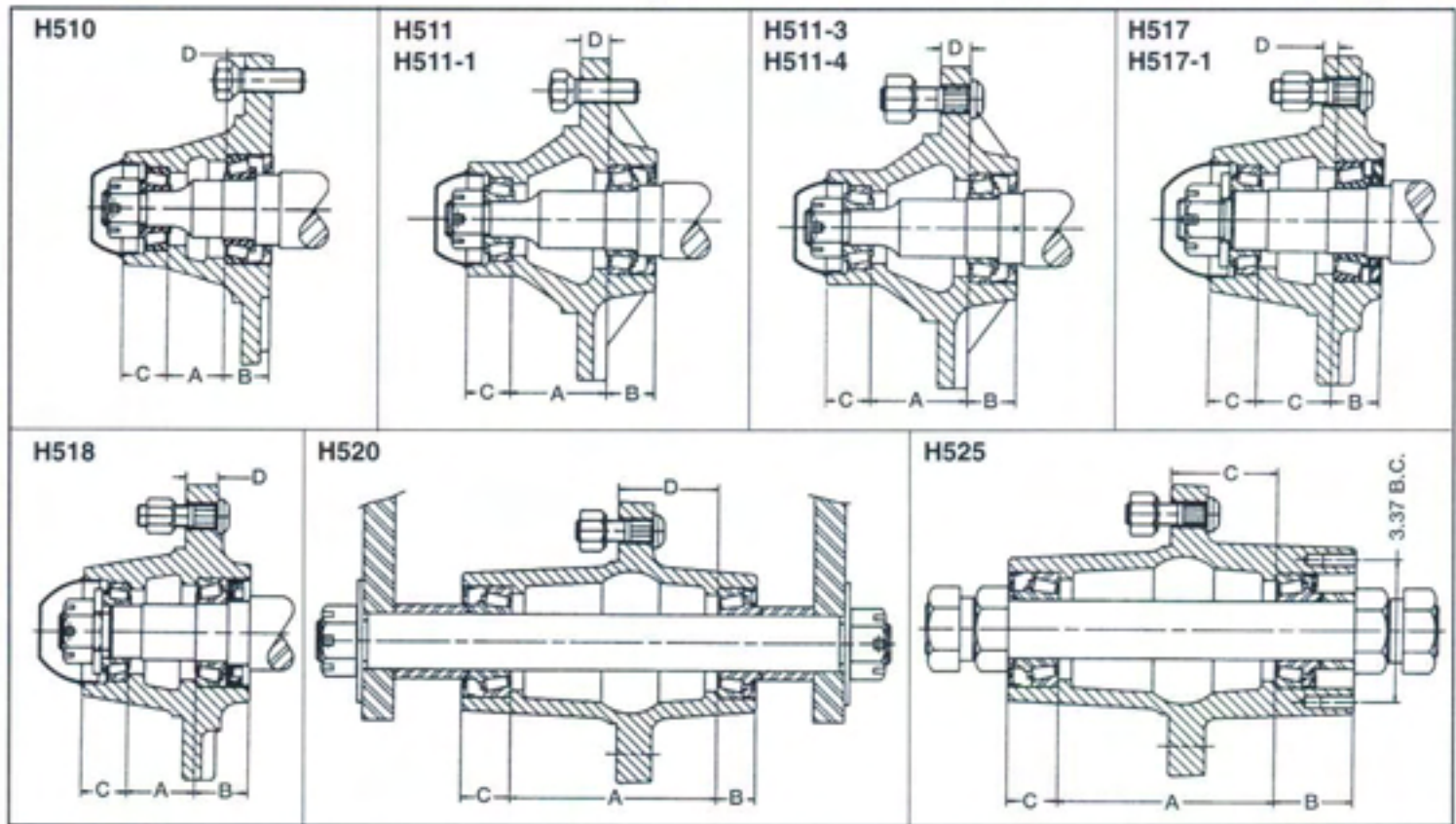




# HUBS & COMPONENT PARTS

## 5 BOLT, 5.50" BOLT CIRCLE, 4" PILOT

for Agricultural Wheels shown on page 8



HUB ORDER NO.	BEARING ORDERING NO.						PARTS ORDERING NO.			A	B	C	D	* CAP LBS.	SPINDLE SERIES PAGE 20
	INNER CUP	OUTER CUP	INNER CONE	INNER BORE	OUTER CONE	OUTER BORE	DUST CAP	WHEEL BOLT	GREASE SEAL						
H510	LM-67010	LM-11910	LM-67048	1.25	LM-11949	.75	DC12	WB10	SE12	1.18	.93	.93	.37	1250	S510-
H511	LM-67010	LM-11910	LM-67048	1.25	LM-11949	.75	DC12	WB10	SE14	2.03	1.00	.93	.63	1800	S511-
H511-1	LM-67010	LM-11910	LM-67048	1.25	LM-11949	.75	DC12	WB10	SE13	2.03	1.00	.93	.63	1800	S511-1-
H511-3	LM-67010	LM-11910	LM-67048	1.25	LM-11949	.75	DC12	WB13 WB11	SE14	2.03	1.00	.93	.63	1800	S511-
H511-4	LM-67010	LM-11910	LM-67048	1.25	LM-11949	.75	DC12	WB13 WB11	SE13	2.03	1.00	.93	.63	1800	S511-1-
H517**	LM-48510	LM-67010	LM-48548	1.37	LM-67048	1.25	DC13	WB16 WB11	SE28	1.56	1.00	1.00	.31	2760	S517-
H517-1**	LM-48510	LM-67010	LM-48548	1.37	LM-67048	1.25	DC13	WB16 WB11	SE14	1.56	1.00	1.00	.31	2760	S517-1
H518**	LM-48510	LM-67010	LM-48548	1.37	LM-67048	1.25	DC13	WB16 WB11	SE33 SE33-01	1.56	1.25	1.06	.31	2760	S518
H520**	14276	14276	14136A	1.37	14136A	1.37	-	WB16 WB11	SE39	5.00	1.00	1.00	2.43	5700	S520F-
H525***	14276	14276	14136A	1.37	14136A	1.37	-	WB16 WB11	SE13	5.00	1.81	1.06	2.43	5700	S520F-

\* Hub Capacities Based on .25 Negative Offset 20,000 Mile Minimum Bearing Life at Tractor Speed (20MPH) and 14,000 PSI. Maximum Fiber Stress on the Spindle.

\*\* These hubs available with bolts in lieu of studs.

\*\*\* Sprocket Drive Application.

### CANADIAN TOOL & DIE LTD.

1331 Chevrier Blvd., Winnipeg, Manitoba, Canada R3T 1Y4

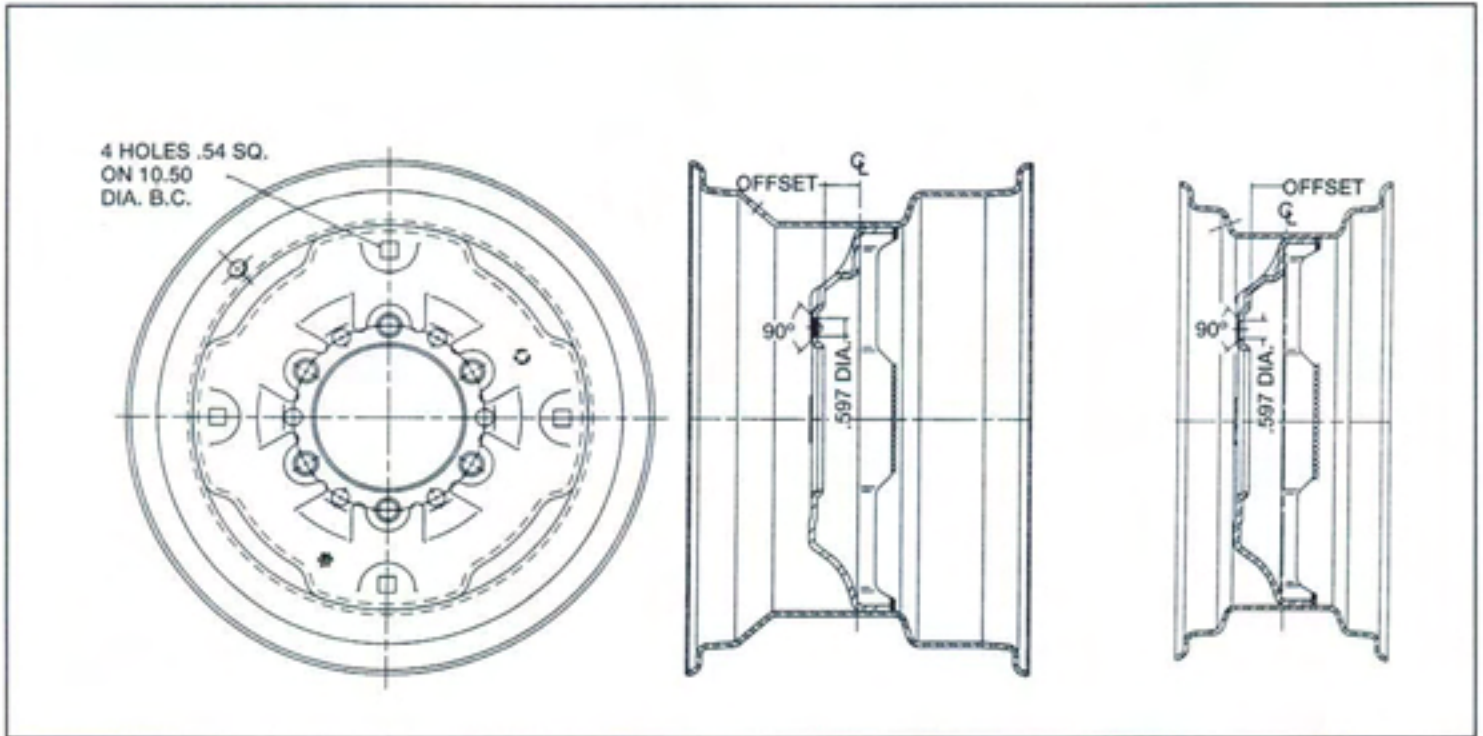
Tel 204/453-6833 Fax 204/453-3803 e mail CDNT00L1@resonet.com



# 14", 15" and 16" DIA. WHEELS

## 6 BOLT, 6" BOLT CIRCLE, 4.62" PILOT

### Standard Convex Implement Wheels



ORDERING NO.	RIM	OFFSET	CAPACITY (lbs.)
14063-0625N2N	14 X 6 KB	+ 1.12	2800
14081-0625N2N	14 X 8 KB	+ 1.12	2800
15051-0624N2N	15 X 5 KB	+ 1.12	2700
*15161-0624N1N	15 X 6 LB	+ 1.12	2800
15061-0624N1N	15 X 6 LB	+ 1.12	3000
15061-0627N1N	15 X 6 LBH	+ 1.12	3800
15081-0624N1N	15 X 8 LB	+ 1.12	3000
15081-0627N1N	15 X 8 LBH	+ 1.12	3800
15101-0624N1N	15 X 10 LB	+ 1.12	3000
15101-0627N1N	15 X 10 LBH	+ 1.12	3800
16061-0628N1N	16 X 6 LBH	+ 1.12	3800
16061-0628N2N	16 X 6 LBH	+ .657	3800
16081-0628N1N	16 X 8 LBH	+ 1.12	3800
16101-0628N1N	16 X 10 LBH	+ 1.12	3800

\* Limited Production



## CANADIAN TOOL & DIE LTD.

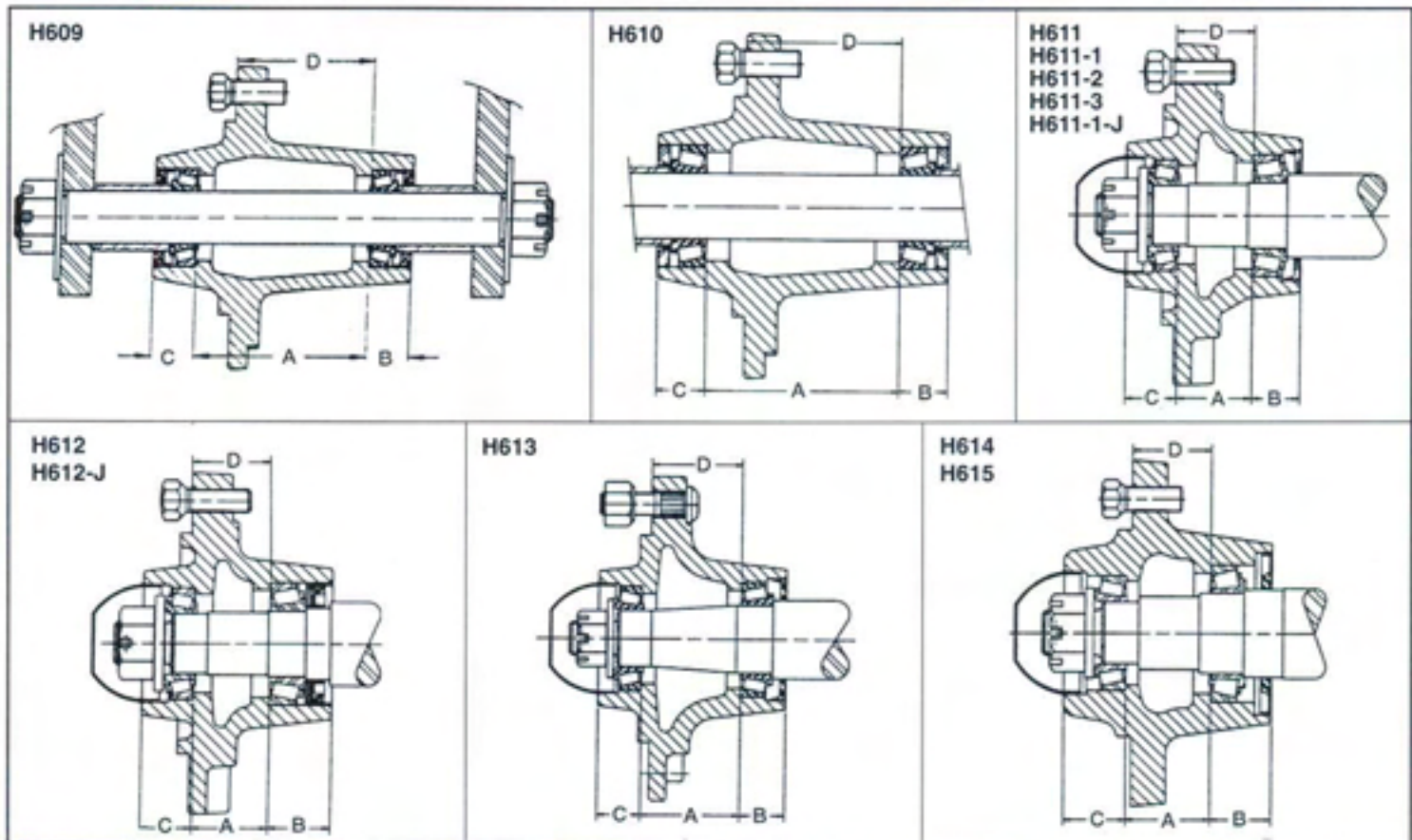
1331 Chevrier Blvd., Winnipeg, Manitoba, Canada R3T 1Y4  
 Tel 204/453-6833 Fax 204/453-3803 e mail CDNT00L1@resonet.com



# HUBS & COMPONENT PARTS

## 6 BOLT, 6" CIRCLE, 4.62" PILOT

for Convex Implement wheels shown on page 10



HUB ORDER NO.	BEARING ORDERING NO.						PARTS ORDERING NO.			A	B	C	D	* CAP LBS.	SPINDLE SERIES PAGE 20
	INNER CUP	OUTER CUP	INNER CONE	INNER BORE	OUTER CONE	OUTER BORE	DUST CAP	WHEEL BOLT	GREASE SEAL						
H609	LM-67010	LM-67010	LM-67048	1.25	LM-67048	1.25	-	WB12	SE12	4.00	1.00	1.00	3.18	2450	S609F
H610	LM-48510	LM-48510	LM-48548	1.37	LM-48548	1.37	-	WB12	SE14	4.00	1.00	1.00	3.18	3800	S610F-
H611	LM-29710	LM-67010	LM-29749	1.50	LM-67048	1.25	DC13	WB10	SE13	1.56	1.00	1.06	1.62	3600	S611-
H611-1	LM-29710	LM-67010	LM-29749	1.50	LM-67048	1.25	DC13	WB10	SE14	1.56	1.00	1.06	1.62	3600	S611-1-
H611-2	LM-48510	LM-67010	LM-48548	1.37	LM-67048	1.25	DC13	WB10	SE13	1.56	1.00	1.06	1.62	2840	S611-2-
H611-3	LM-48510	LM-67010	LM-48548	1.37	LM-67048	1.25	DC13	WB10	SE28	1.56	1.00	1.06	1.62	2840	S611-3-
H611-1-J	JL-69310	LM-67010	JL-69349	1.50	LM-67048	1.25	DC13	WB10	SE14	1.56	1.00	1.06	1.62	3600	S611-1-J
H612	LM-48510	LM-67010	LM-48548	1.37	LM-67048	1.25	DC13	WB10	SE33 SE33-01	1.56	1.25	1.06	1.62	2840	S611-3-
H612J	JL-69310	LM-67010	JL-69349	1.50	LM-67048	1.25	DC13	WB10	SE39 SE33-01	1.53	1.31	1.03	1.53	3600	S611-J
H613	LM-29710	LM-67010	LM-29749	1.50	LM-67048	1.25	DC13	WB16 WB11	SE13	2.18	1.00	.93	2.00	2930	S613-
H614	LM-603011	LM-48510	LM-603049	1.78	LM-48548	1.37	DC15	WB12	SE16	1.75	1.37	1.37	1.62	5000	S614-
H615	LM-603011	LM-48510	LM-603049	1.78	LM-48548	1.37	DC15	WB12	SE29	1.75	1.37	1.37	1.62	5000	S614

\* Hub Capacities Based on 1.12 Positive Offset 20,000 Mile Minimum Bearing Life at Tractor speed (20MPH) and 14,000 PSI. Maximum Fiber Stress On the Spindle.

### CANADIAN TOOL & DIE LTD.

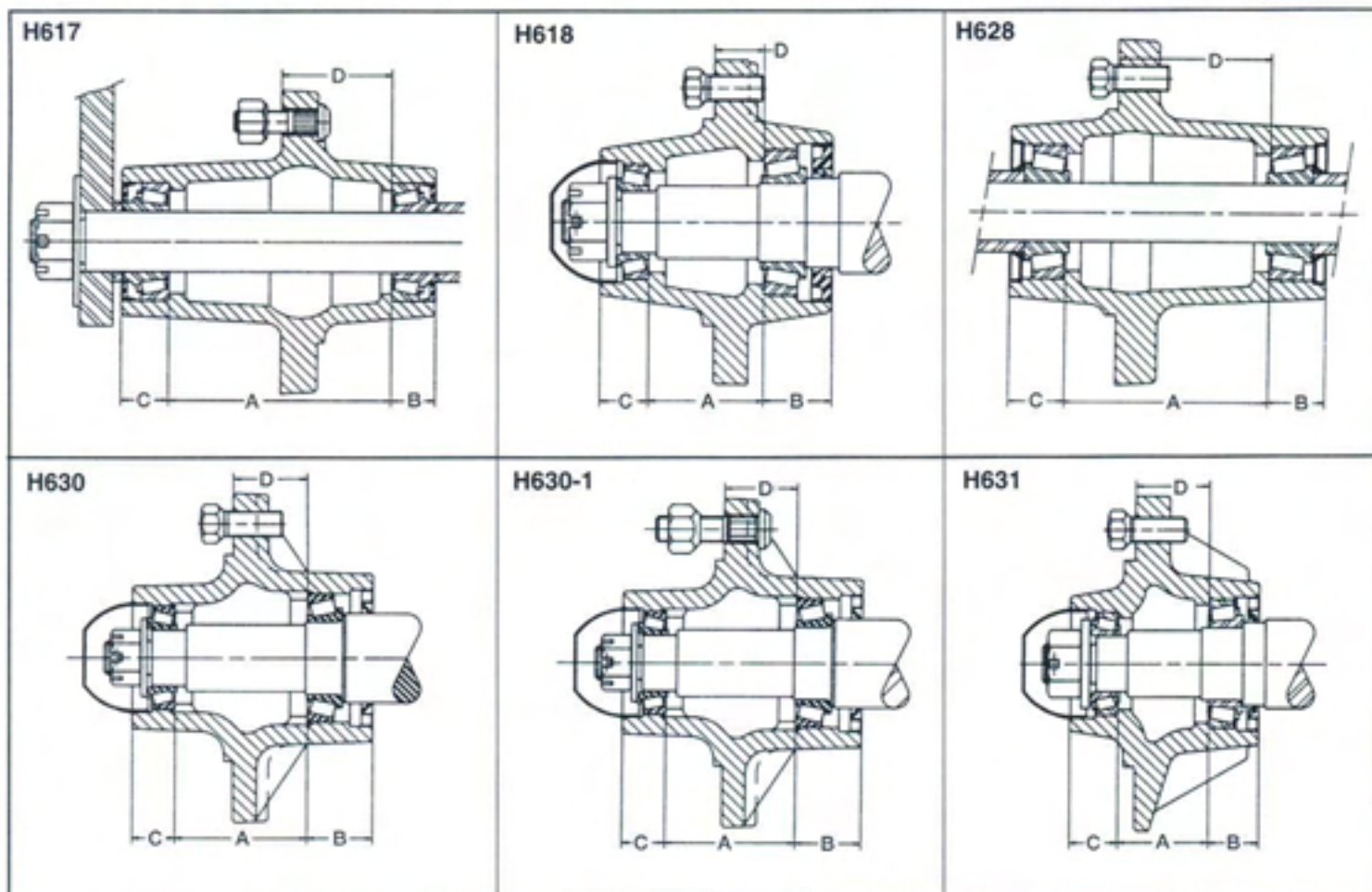
1331 Chevrier Blvd., Winnipeg, Manitoba, Canada R3T 1Y4  
Tel 204/453-6833 Fax 204/453-3803 e mail CDNT00L1@resonet.com



# HUBS & COMPONENT PARTS

## 6 BOLT, 6" BOLT CIRCLE, 4.62" PILOT

for Convex Wheels shown on page 10



HUB ORDER NO.	BEARING ORDERING NO.						PARTS ORDERING NO.			A	B	C	D	* CAP LBS.	SPINDLE SERIES PAGE 20
	INNER CUP	OUTER CUP	INNER CONE	INNER BORE	OUTER CONE	OUTER BORE	DUST CAP	WHEEL BOLT	GREASE SEAL						
H617	13621	13621	13686	1.50	13686	1.50	-	WB16 WB11	SE24	5.00	1.06	1.00	3.37	3500	S617-
H618	25520	LM-48510	25580	1.75	LM-48548	1.37	DCV15	WB12	SE30	2.53	1.53	1.06	1.09	6000	S618-1-
H628	2720	2720	2788	1.50	2788	1.50	-	WB12	SE29	4.50	1.25	1.25	3.37	5000	S628-
H630	LM-501310	LM-67010	LM-501349	1.62	LM-67048	1.25	DC13	WB12	SE44	2.84	1.43	.93	1.59	3500	S630-
H630-1	LM-501310	LM-67010	LM-501349	1.62	LM-67048	1.25	DC13	WB41 WB40	SE44	2.84	1.43	.93	1.59	3500	S630-
H631	LM-501310	LM-67010	LM-501349	1.62	LM-67048	1.25	DC13	WB10	SE46	2.00	1.12	1.06	1.62	4570	S631-

\* Hub Capacities Based on 1.12 Positive Offset 20,000 Mile Minimum Bearing Life at Tractor Speed ( 20MPH) and 14,000 PSI. Maximum Fiber Stress on the Spindle.



### CANADIAN TOOL & DIE LTD.

1331 Chevrier Blvd., Winnipeg, Manitoba, Canada R3T 1Y4  
Tel 204/453-6833 Fax 204/453-3803 e mail CDNT00L1@resonet.com

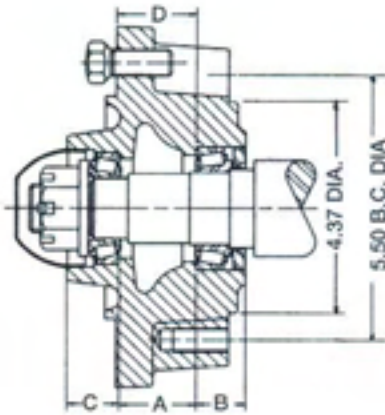


# HUBS & COMPONENT PARTS

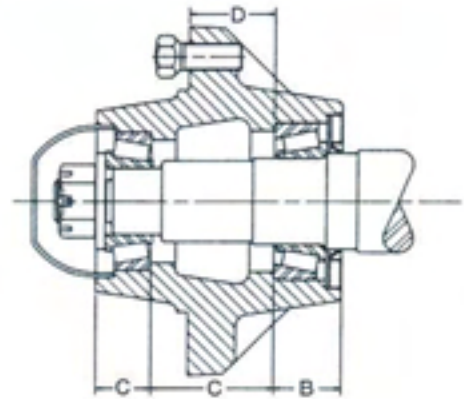
## 6 BOLT, 6" BOLT CIRCLE, 4.62" PILOT

for Convex Wheels shown on page 10

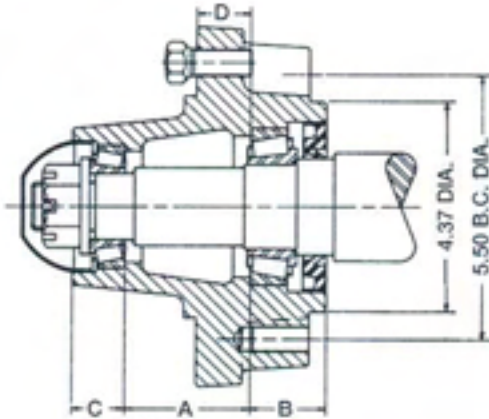
H632  
H632-J



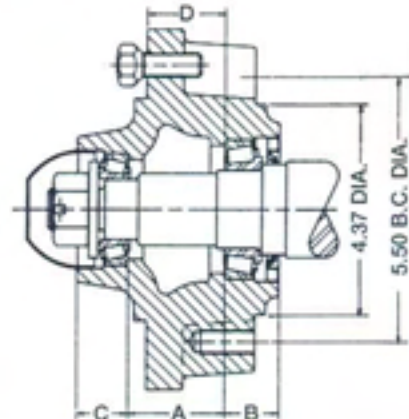
H633  
H633-1



H635



H636



HUB ORDER NO.	BEARING ORDERING NO.						PARTS ORDERING NO.			A	B	C	D	* CAP LBS.	SPINDLE SERIES PAGE 20
	INNER CUP	OUTER CUP	INNER CONE	INNER BORE	OUTER CONE	OUTER BORE	DUST CAP	WHEEL BOLT	GREASE SEAL						
H632**	LM-29710	LM-67010	LM-29749	1.50	LM-67048	1.25	DC13	WB10	SE13	1.56	1.00	1.06	1.62	3600	S611-
H632-J**	JL-69310	LM-67010	JL-69349	1.49	LM-67048	1.25	DC13	WB10	SE14	1.56	1.00	1.06	1.62	3600	S611-1-J
H633	25520	25821	25590	1.79	25877	1.37	DC17	WB12	SE16	2.50	1.37	1.12	1.75	4910	S633-
H633-1	25520	25821	25590	1.79	25977	1.37	DC17	WB12	SE47	2.50	1.37	1.12	1.75	4910	S633-
H635**	25520	LM-48510	LM-25580	1.75	LM-48548	1.37	DC15	WB12	SE30	2.53	1.53	1.06	1.09	6000	S618-
H636	LM-501310	LM-67010	LM-501349	1.62	LM-67048	1.25	DC13	WB10	SE46	2.00	1.12	1.06	1.62	4570	S631-

\* Hub Capacities Based on 1.12 Positive Offset 20,000 Mile Minimum Bearing Life at Tractor Speed ( 20MPH) and 14,000 PSI. Maximum Fiber Stress on the Spindle.

\*\* For Brake Application.

### CANADIAN TOOL & DIE LTD.

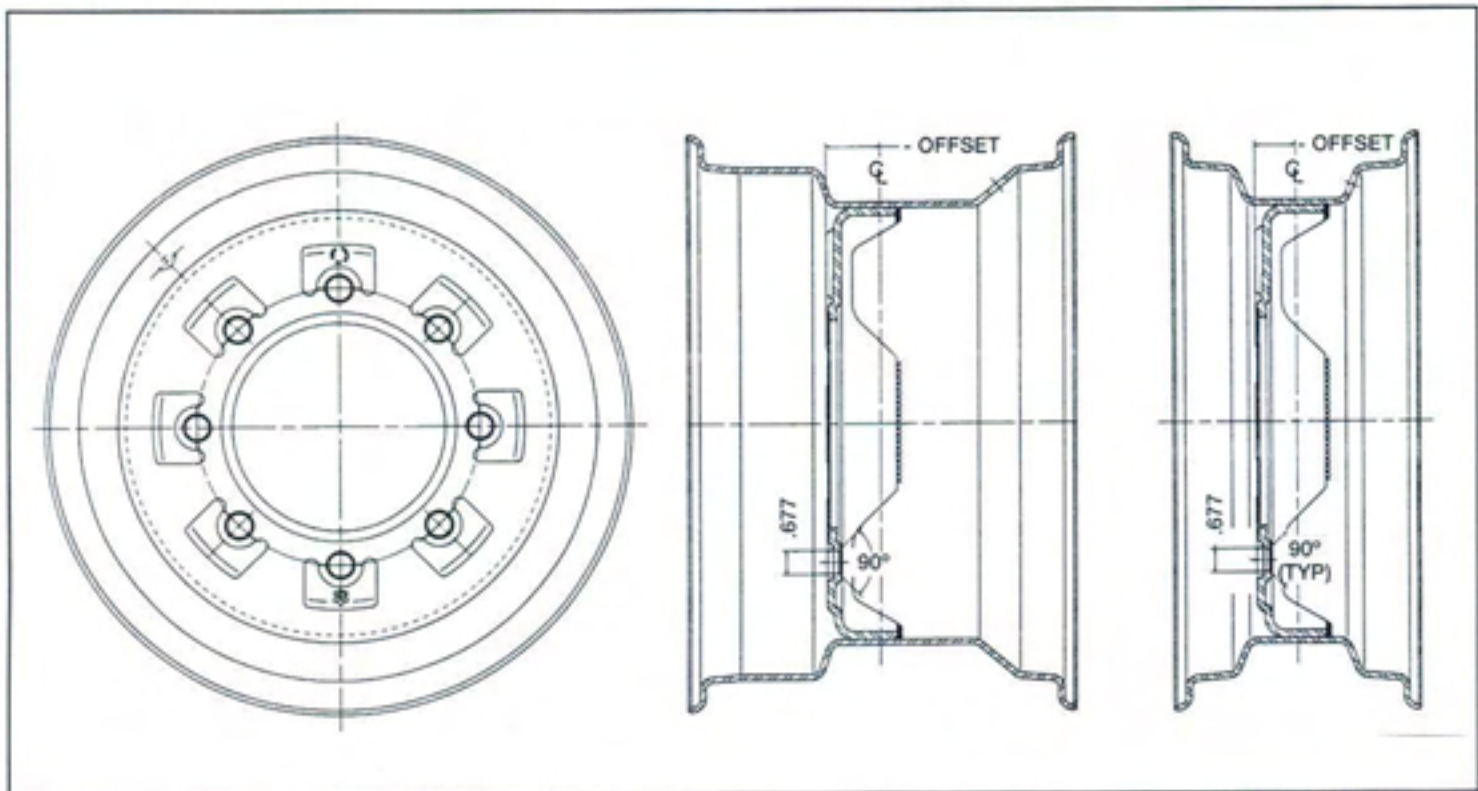
1331 Chevrier Blvd., Winnipeg, Manitoba, Canada R3T 1Y4  
Tel 204/453-6833 Fax 204/453-3803 e mail CDNT00L1@resonet.com



# 15" and 16" DIA. WHEELS

## 8 BOLT, 8" BOLT CIRCLE, 6" PILOT

for Agricultural Applications



ORDERING NO.	RIM	OFFSET *	CAPACITY (lbs.)
15061-0815N1N	15 X 6 LB	- 1.50	5000
15081-0815N1N	15 X 8 LB	- 1.50	5000
15081-0815N1N	15 X 10 LB	- 1.50	5000
15101-0815R1N	15 X 10 LB	+ .38	5000
16061-0816N1N	16 X 6 LBH	- 1.50	5000
16081-0816N1N	16 X 8 LBH	- 1.50	5000
16101-0816N1N	16 X 10 LB	- 1.50	5000
16101-0816R1N	16 X 10 LB	+ .38	5000

\* Other Offsets Available.



### CANADIAN TOOL & DIE LTD.

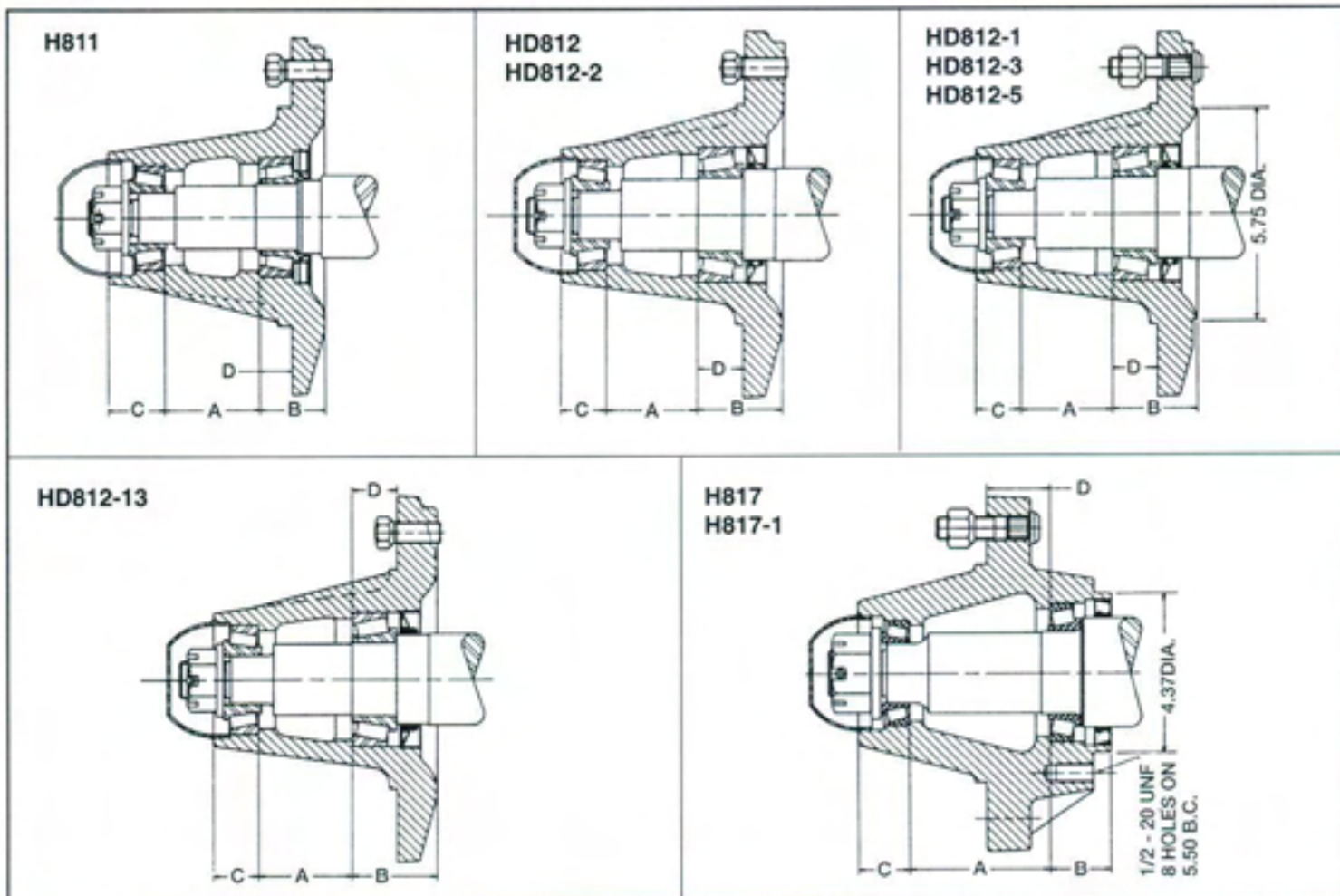
1331 Chevrier Blvd., Winnipeg, Manitoba, Canada R3T 1Y4  
 Tel 204/453-6833 Fax 204/453-3803 e mail CDNT00L1@resonet.com



# HUBS & COMPONENT PARTS

## 8 BOLT, 8" BOLT CIRCLE, 6" PILOT

for Agricultural Wheels shown on page 14



HUB ORDER NO.	BEARING ORDERING NO.						PARTS ORDERING NO.			A	B	C	D	* CAP LBS.	SPINDLE SERIES PAGE 20
	INNER CUP	OUTER CUP	INNER CONE	INNER BORE	OUTER CONE	OUTER BORE	DUST CAP	WHEEL BOLT	GREASE SEAL						
H811	25520	25821	25590	1.79	25877	1.37	DC17	WB12	SE16	2.50	1.75	1.50	.87	5050	S811-
HD812	3720	2720	3780	2.00	2790	1.31	DC17	WB12 WB40	SE17	2.44	2.28	1.21	1.21	6100	S812-
HD812-1	3720	2720	3780	2.00	2790	1.31	DC17	WB41	SE17	2.44	2.25	1.21	1.18	6100	S812-
HD812-2	3720	2720	3780	2.00	2790	1.31	DC17	WB12	SE35	2.44	2.28	1.21	1.21	6100	S812-
HD812-3	3720	2720	3780	2.00	2790	1.31	DC17	WB41	SE35	2.44	2.28	1.21	1.21	6100	S812-
HD812-5**	3720	2720	3780	2.00	2790	1.31	DC17	WB41 WB40	SE17	2.44	2.28	1.21	1.21	6100	S812-
HD812-13	3720	2720	3780	2.00	2790	1.31	DC17	WB12	SE17	2.44	2.28	1.21	1.21	6100	S812-
H817	382A	LM-501310	387AS	2.25	LM-501349	1.62	DC26	WB46 WB18	SE42	3.75	1.62	1.37	1.68	7500	S817-
H817-1**	382A	LM-501310	387AS	2.25	LM-501349	1.62	DC26	WB46 WB18	SE42	3.75	1.62	1.37	1.68	7500	S817-

\*Hub Capacities Based on 1.50 Negative Offset (H817 Series Based on 1.12 Positive Offset) 20,000 mile minimum Bearing at Tractor Speed (20MPH) and 14,000 PSI. Maximum Fiber Stress on the Spindle \*\* For Brake Application.

### CANADIAN TOOL & DIE LTD.

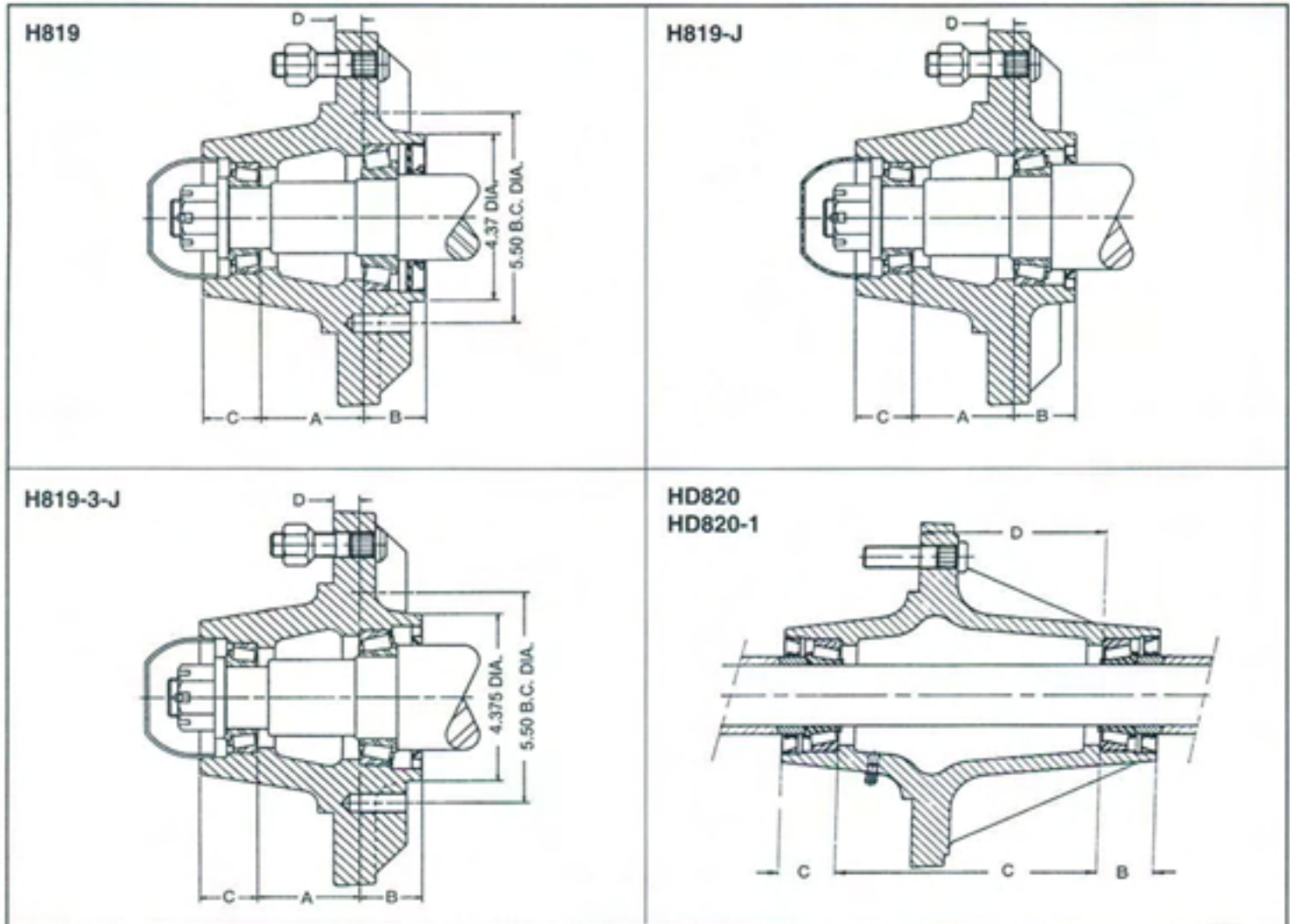
1331 Chevrier Blvd., Winnipeg, Manitoba, Canada R3T 1Y4  
Tel 204/453-6833 Fax 204/453-3803 e mail CDNT00L1@resonet.com



# HUBS & COMPONENT PARTS

## 8 BOLT, 8" BOLT CIRCLE, 6" PILOT

for Agricultural Wheels shown on page 14



HUB ORDER NO.	BEARING ORDERING NO.						PARTS ORDERING NO.			A	B	C	D	* CAP LBS.	SPINDLE SERIES PAGE 20
	INNER CUP	OUTER CUP	INNER CONE	INNER BORE	OUTER CONE	OUTER BORE	DUST CAP	WHEEL BOLT	GREASE SEAL						
H819**	382	LM-501310	358A	2.00	LM-501349	1.62	DC26	WB46 WB18	SE31	2.56	1.50	1.37	.75	6000	S819-
H819-J	JLM-506810	LM-501310	JLM-506849	2.16	LM-501349	1.62	DC26	WB46	SE58	2.56	1.50	1.37	.75	6000	S819-J
H819-3-J	JLM-506810	LM-501310	JLM-506849	2.16	LM-501349	1.62	DC26	WB46 WB18	SE58	2.56	1.50	1.37	.75	6000	S819-J
HD820	25520	25520	25520	1.75	25580	1.75	-	WB46	SE26	7.00	1.56	1.56	5.00	7500	S820-F
HD820-1	332	332	342	1.62	342	1.62	-	WB46	22380	7.00	1.56	1.56	5.00	6000	S820-F

\* Hub Capacities Based on .37 Positive Offset 20,000 Mile minimum Bearing life at Tractor Speed (20 MPH) and 14,000PSI. Maximum Fiber Stress on the Spindle.

\*\* For Brake Application.



### CANADIAN TOOL & DIE LTD.

1331 Chevrier Blvd., Winnipeg, Manitoba, Canada R3T 1Y4  
Tel 204/453-6833 Fax 204/453-3803 e mail CDNT00L1@resonet.com

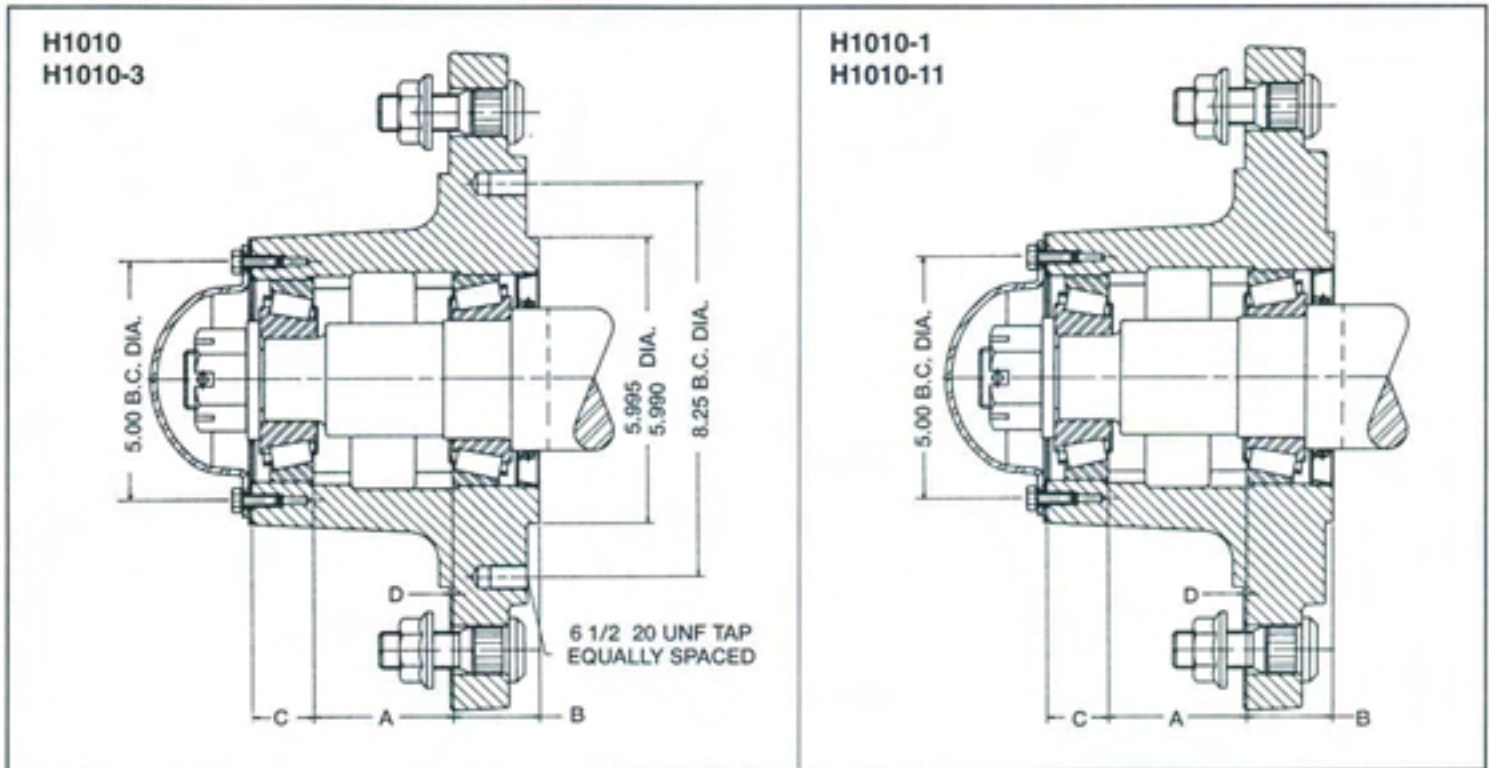




# HUBS & COMPONENT PARTS

## 10 BOLT, 11.25" BOLT CIRCLE, 8.69" PILOT

for Agricultural application



HUB ORDER NO.	BEARING ORDERING NO.						PARTS ORDERING NO.			A	B	C	D	* CAP LBS.	SPINDLE SERIES PAGE 20
	INNER CUP	OUTER CUP	INNER CONE	INNER BORE	OUTER CONE	OUTER BORE	DUST CAP	WHEEL BOLT	GREASE SEAL						
H1010**	39520	453A	39585	2.50	460	1.75	DC27	WB51 WB52	SE48	2.81	1.75	1.25	0.06	12,000	S1010
H1010-1	39520	453A	39585	2.50	460	1.75	DC27	WB51 WB52	SE48	2.81	1.75	1.25	0.06	12,000	S1010
H1010-3**	33462	453A	33275	2.75	460	1.75	DC27	WB51 WB52	SE67	2.81	1.75	1.25	0.06	15,000	S1010-3
H1010-11	33462	453A	33275	2.75	460	1.75	DC27	WB51 WB52	SE67	2.81	1.75	1.25	0.06	15,000	S1010-3

Bolts (WB53) and gasket (SE49) for Dust Cap included.

\* Hub Capacities based on Zero Offset 20,000 Mile Minimum Bearing Life at Tractor Speed (20MPH) and 14,000 PSI Maximum Fibre Stress on the Spindle.

\*\* For Brake application.

All above Hubs available with Budd-type Nuts WB58.

### CANADIAN TOOL & DIE LTD.

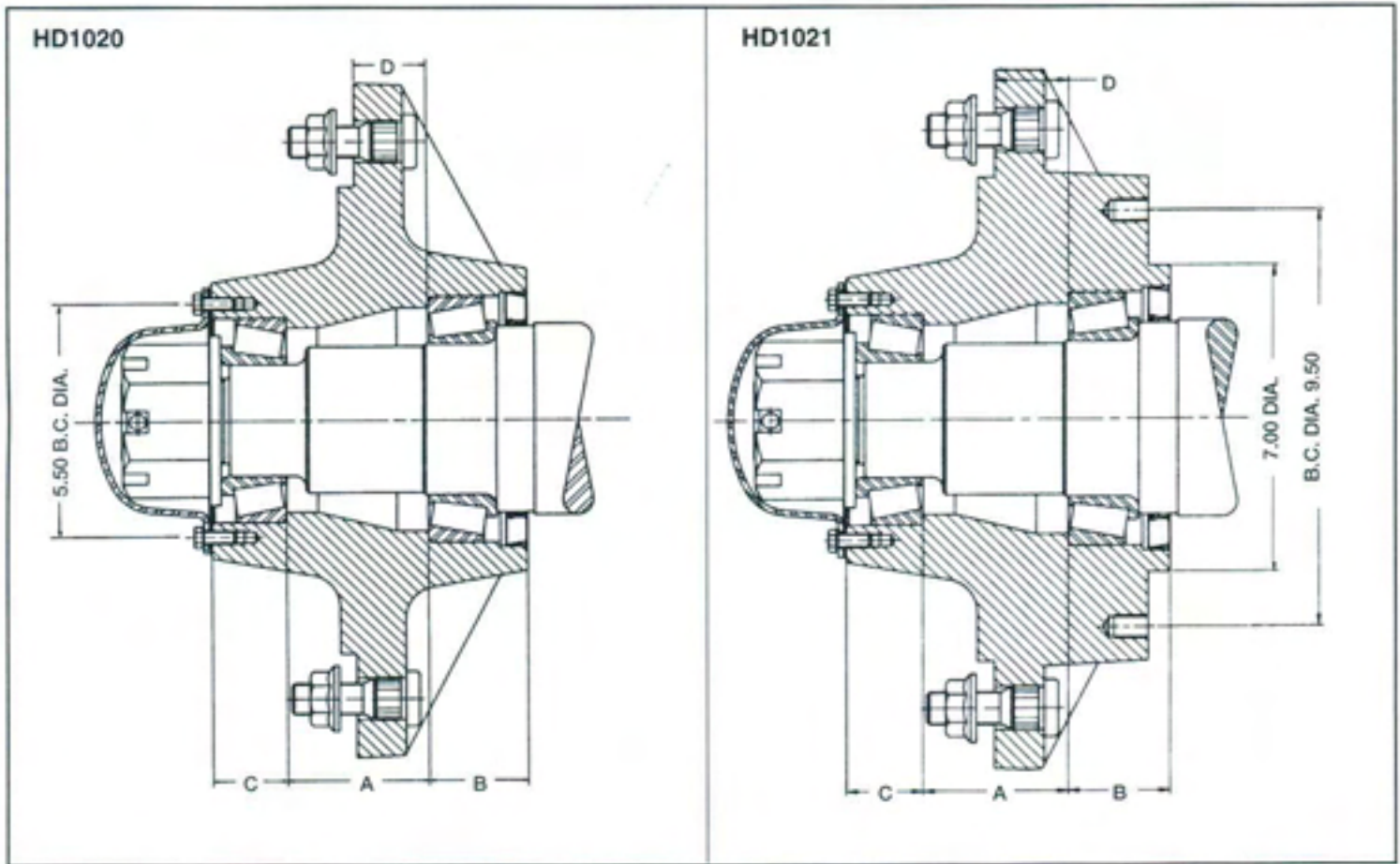
1331 Chevrier Blvd., Winnipeg, Manitoba, Canada R3T 1Y4  
Tel 204/453-6833 Fax 204/453-3803 e mail CDNT00L1@resonet.com



# HUBS & COMPONENT PARTS

## 10 BOLT, 13.19" BOLT CIRCLE, 11.05" PILOT

for Agricultural application



HUB ORDER NO.	BEARING ORDERING NO.						PARTS ORDERING NO.			A	B	C	D	* CAP LBS.	SPINDLE SERIES PAGE 20
	INNER CUP	OUTER CUP	INNER CONE	BORE	OUTER CONE	BORE	DUST CAP	WHEEL BOLT	GREASE SEAL						
H1020	HM-218210	HM-212010	HM-218248	3.54	HM-212049	2.62	DC28	WB51 WB52	SE55	3.25	2.28	1.72	1.66	20,000	S1020-
** HD1021	HM-218210	HM-212010	HM-218248	3.54	HM-212049	2.62	DC28	WB51 WB52	SE55	3.25	2.28	1.72	1.66	20,000	S1020-

Bolts (WB53) and gasket (SE59) for Dust Cap included.

\* Hub Capacities based on 1.50 Positive Offset 20,000 Mile minimum Bearing life at Tractor speed (20MPH) and 14,000PSI Maximum Fiber Stress on the Spindle.

\*\* For brake application

All above Hubs available with Budd-type Nuts WB58.



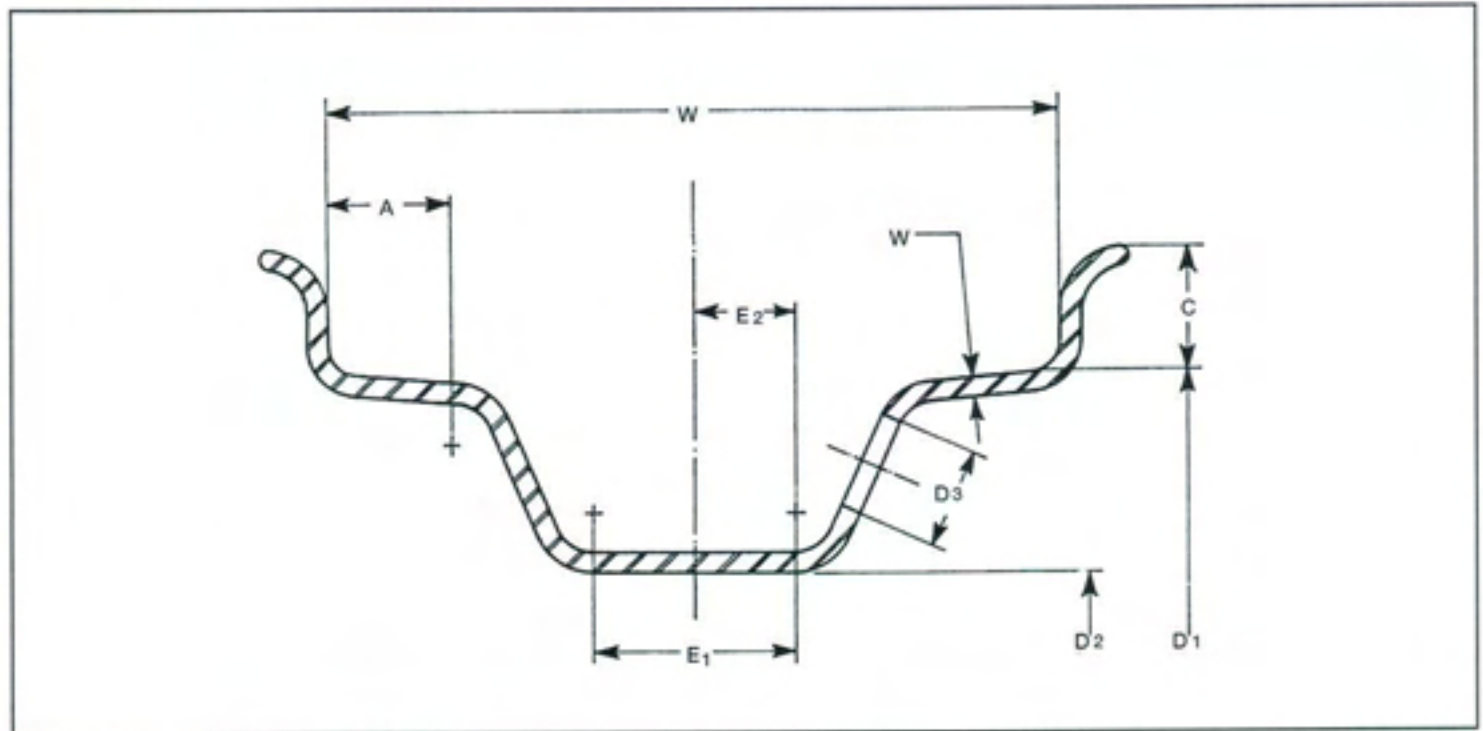
### CANADIAN TOOL & DIE LTD.

1331 Chevrier Blvd., Winnipeg, Manitoba, Canada R3T 1Y4

Tel 204/453-6833 Fax 204/453-3803 e mail CDNT00L1@resonet.com



# DROP CENTER RIMS



RIM SIZE	ORDERING NO.	W	A	C	D <sub>1</sub>	D <sub>2</sub>	E <sub>1</sub>	E <sub>2</sub>	D <sub>3</sub>	T
12 X 4 JA	12041	4.00	.680	.625	11.968	10.250	1.080	.540	.450	.110
14 X 5 KB	14051	5.00	.780	.770	13.968	12.000	1.969	.984	.450	.125
14 X 6 KB	14063	6.00	.780	.770	13.968	12.000	2.968	1.484	.450	.134
14 X 8 KB	14081	8.00	.780	.770	13.968	12.000	4.968	2.484	.450	.134
15 X 4 1/2 KB	15041	4.50	.780	.770	14.968	12.479	1.250	.625	.620	.125
15 X 5 KB	15051	5.00	.780	.770	14.968	12.479	1.174	.882	.620	.125
15 X 6 LB	15061	6.00	1.000	.850	14.968	12.479	2.344	1.172	.620	.156
15 X 8 LB	15081	8.00	1.000	.850	14.968	12.479	3.756	1.878	.620	.156
15 X 10 LB	15101	10.00	1.000	.850	14.968	12.479	3.781	2.593	.620	.156
16 X 6 LB	16061	6.00	1.000	.850	15.968	13.479	2.344	1.342	.620	.156
16 X 8 LB	16081	8.00	1.000	.850	15.968	13.479	3.756	1.878	.620	.156
16 X 10 LB	16101	10.00	1.000	.850	15.968	13.479	3.781	2.593	.620	.156

Canadian Tool & Die Ltd. does not warrant or accept any responsibility for customer installed centers.

## CANADIAN TOOL & DIE LTD.

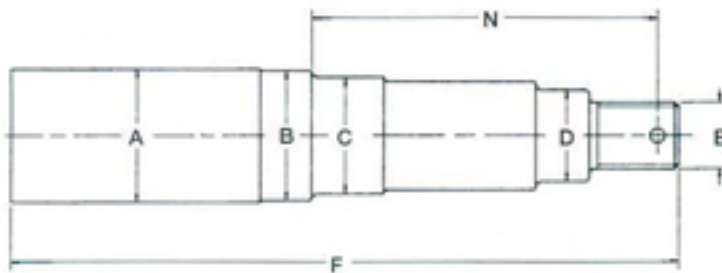
1331 Chevrier Blvd., Winnipeg, Manitoba, Canada R3T 1Y4  
 Tel 204/453-6833 Fax 204/453-3803 e mail CDNT00L1@resonet.com



# SPINDLES



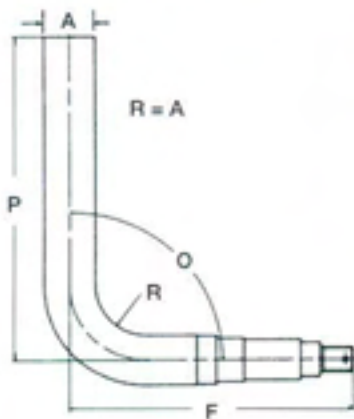
## STRAIGHT SPINDLE



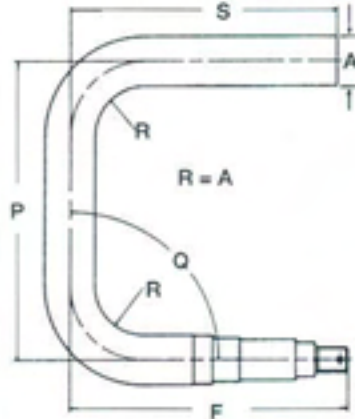
## DOUBLE ENDED SPINDLE



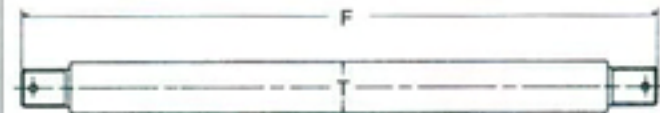
## SINGLE BENT SPINDLE



## DOUBLE BENT SPINDLE



## FORK SPINDLE



\* Note: When ordering spindles please specify dimension: A, F, (and P, S, for bent spindles).

SPINDLE SERIES	A	B	C	D	E	N
S411-(S510)	TO CUSTOMERS' SPECS.	1.50	1.250/1.248	.750/ .748	3/4-16UNF	2.93
S411-1-		1.62	1.250/1.248	.750/ .748	3/4-16UNF	2.93
S413- (S511)		1.50	1.250/1.248	.750/ .748	3/4-16UNF	3.81
S510- (S411)		1.50	1.250/1.248	.750/ .748	3/4-16UNF	2.93
S511- (S413-)		1.50	1.250/1.248	.750/ .748	3/4-16UNF	3.81
S511-1		1.62	1.250/1.248	.750/ .748	3/4-16UNF	3.81
S512-		1.75	1.250/1.248	.750/ .748	3/4-16UNF	4.28

Hot Rolled Spindles, up to 2 1/2" dia., supplied up to .060 oversize unless specified otherwise.



## CANADIAN TOOL & DIE LTD.

1331 Chevrier Blvd., Winnipeg, Manitoba, Canada R3T 1Y4  
Tel 204/453-6833 Fax 204/453-3803 e mail CDNT00L1@resonet.com



SPINDLE SERIES	A	B	C	D	E	N
S516-		1.62	1.375/1.373	.750/ .748	3/4-16UNF	3.87
S517- (S611)		1.75	1.375/1.373	1.240/1.248	7/8-14UNF	3.65
S517-1- (S611-3-)		1.50	1.375/1.373	1.250/1.248	7/8-14 UNF	3.65
S518- (S517-1-)		1.50	1.375/1.373	1.250/1.248	7/8-14 UNF	3.69
S611- (S632-)	TO CUSTOMERS' SPECIFICATIONS	1.75	1.500/1.498	1.250/1.248		
S611-1-		1.62	1.500/1.498	1.250/1.248	7/8-14 UNF	3.75
S611-3- (S517-1-)		1.50	1.375/1.373	1.250/1.248	7/8-14 UNF	3.75
S611-1-J(S612-J-)		1.62	1.495/1.493	1.250/1.248	1-14 UNS*	3.75
S612- (S611-3-)		1.50	1.375/1.373	1.250/1.248	7/8-14 UNF	3.75
S612-J (S611-1-J-)		1.62	1.495/1.493	1.250/1.248	1-14 UNS*	3.75
S613-		1.70	1.500/1.498	1.250/1.248	7/8-14 UNS	4.34
S614-		2.00	1.781/1.779	1.375/1.373	1-14 UNS*	4.09
S618- (S635-)		2.00	1.750/1.748	1.375/1.373	1-14 UNS*	5.00
S619-		2.20	2.000/1.998	1.375/1.373	1-14 UNS	5.43
S630-		2.00	1.625/1.623	1.250/1.248	3/4-16 UNF	5.15
S631-		1.87	1.625/1.623	1.250/1.248	7/8-14UNS	4.18
S632- (S611-)		1.75	1.500/1.498	1.250/1.248	1-14 UNS	3.75
*S632-J- (S611-1-J-)		1.62	1.495/1.493	1.250/1.248	1-14 UNS*	3.75
S633- (S811-)	2.00	1.796/1.794	1.375/1.373	7/8-14 UNS	5.18	
S810-	2.50	2.000/1.998	1.375/1.373	7/8-14 UNS	6.43	
S811- (S633-)	2.00	1.796/1.794	1.375/1.373	1-14 UNS	5.28	
S812-	2.50	2.000/1.998	1.312/1.310	1-14 UNS	5.46	
S817-	3.00	2.250/2.248	1.625/1.623	1-1/4-12 UNF	6.436	
S819-	2.25	2.000/1.998	1.625/1.623	1-14 UNS	5.15	
S819-J-	2.75	2.164/2.162	1.625/1.623	1-14 UNS	5.22	
S1010-	3.00	2.500/2.498	1.750/1.748	1-1/4-12 UNF	6.25	
S1010-3-	3.37	2.750/2.748	1.750/1.748	1-1/4-12 UNF	6.25	
S1020-	4.37	3.543/2.541	2.625/2.623	2-160 UNF	8.25	

( ) - Common Spindles.

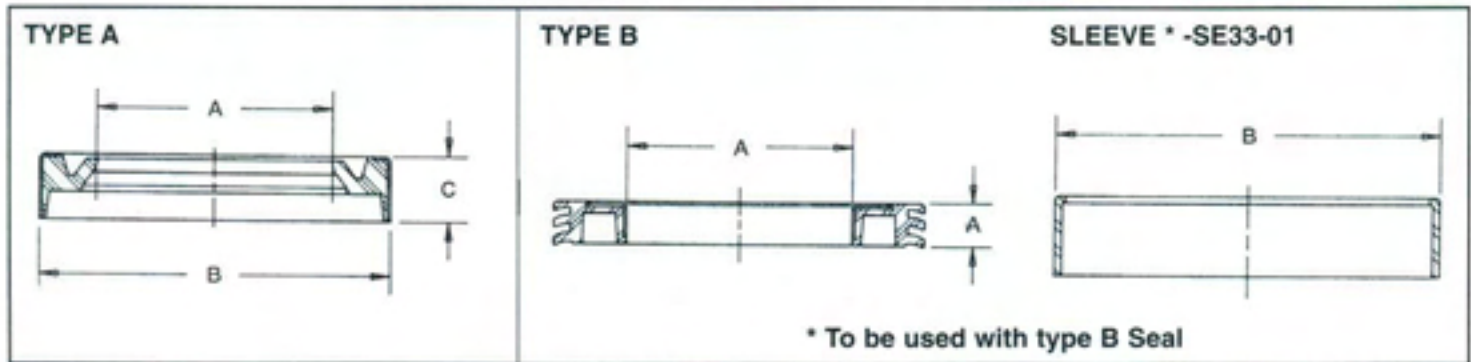
\* 7/8 Thread Optional.

## CANADIAN TOOL & DIE LTD.

1331 Chevrier Blvd., Winnipeg, Manitoba, Canada R3T 1Y4

Tel 204/453-6833 Fax 204/453-3803 e mail CDNTOOL1@resonet.com





SEAL NO.	TYPE	'A' ID	'B' OD	'C' WIDTH
SE-10	A	1.21	1.983	.406
SE-11	A	1.50	2.332	.500
SE-12	A	1.62	2.332	.438
SE-13	A	1.75	2.722	.359
SE-13X	A	1.75	2.754	.350
SE-14	A	1.62	2.566	.250
SE-14X	A	1.575	2.566	.250
SE-15	A	1.37	2.332	.410
SE-16	A	2.00	3.630	.250
SE-17	A	2.50	3.881	.469
SE-18	A	2.13	3.881	.375
SE-19	A	1.00	1.785	.469
SE-22	A	1.68	2.566	.500
SE-24	A	2.00	2.722	.250
SE-26	A	2.25	3.376	.438
SE-28	A	1.50	2.627	.250
SE-29	A	2.00	3.153	.250
SE-30	A	2.00	3.548	.469

SEAL NO.	TYPE	'A' ID	'B' OD	'C' WIDTH
SE-33	B	1.50	2.566	.290
SE-35	A	1.87	2.754	.500
SE-38	A	2.00	3.628	.500
SE-39	B	1.62	2.566	.290
SE-40	A	2.09	2.754	.250
SE-42	A	3.00	4.008	.438
SE-44	A	2.00	3.066	.250
SE-46	A	1.87	3.005	.250
SE-47	A	2.00	3.376	.438
SE-48	A	3.00	4.505	.438
SE-49	**	4.25	6.000	.062
SE-55	A	4.37	6.007	.500
SE-57	A	2.00	3.630	.438
SE-58	A	2.75	3.756	.250
SE-59	**	4.75	6.250	.062
SE-63	A	2.25	3.066	.250
SE-65	A	1.12	1.785	.469
SE-67	A	3.375	4.625	.438

\*\* Gasket

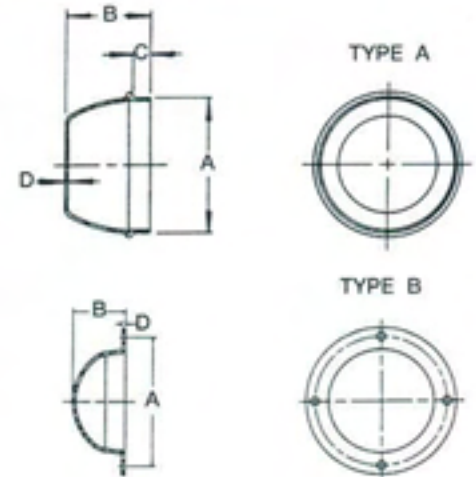




# HUB ACCESSORIES

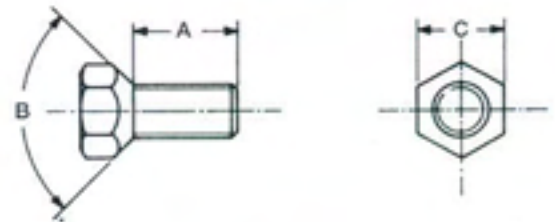
## DUST CAPS

CAP NO.	TYPE	A	B	C	D
DC10	A	1.790	1.00	.25	.039
DC11	A	1.980	1.18	.25	.039
DC12	A	1.940	1.30	.25	.039
DC13	A	2.445	1.41	.37	.039
DC15	A	2.721	1.45	.37	.047
DC17	A	3.160	1.68	.37	.078
DC24	A	1.956	.96	.34	.039
DC26	A	3.120	1.68	.37	.078
DC27	B	5.00	2.00	-	.125
DC28	B	5.50	2.62	-	.125

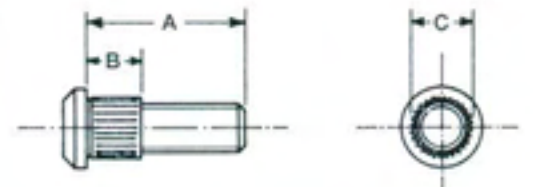


## WHEEL BOLTS

BOLT	THREADS	A	B	C
WB10	1/2 - 20 UNF	1 1/4	90°	3/4
WB12	9/16 - 18 UNF	1 1/4	90°	7/8
WB17	9/16 - 18 UNF	1 3/4	90°	7/8
WB54	1/2 - 20 UNF	7/8	60°	3/4
WB55	1/2 - 20 UNF	1	90°	3/4

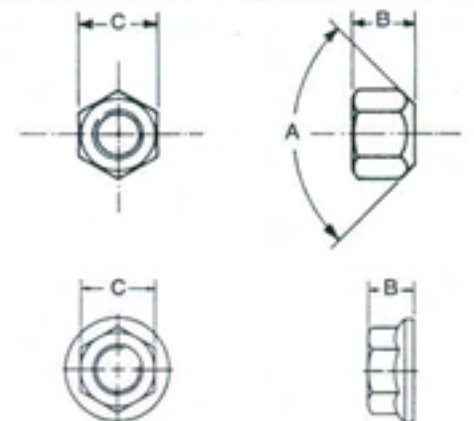


STUD BOLT	THREADS	A	B	C
WB13	1/2 - 20 UNF	1 5/8	9/16	5/8
WB16	1/2 - 20 UNF	1 7/8	9/16	5/8
WB41	9/16 - 18 UNF	2 1/4	5/8	5/8
WB46	5/8 - 18 UNF	2 1/2	9/16	11/16
WB51	3/4 - 16 UNF	2 5/8	3/4	1



## WHEEL STUD NUTS

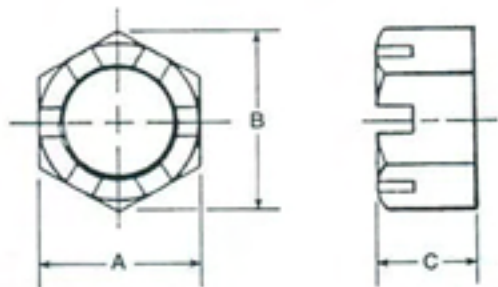
NUT	THREADS	A	B	C
WB11	1/2 - 20 UNF	90°	5/8	13/16
WB18	5/8 - 18 UNF	90°	23/32	15/16
WB40	9/16 - 18 UNF	90°	11/16	1
WB52	3/4 - 16 UNF	Flange Nut	5/8	1 1/8
WB58	3/4 - 16 UNF	Budd Nut	7/8	1 1/2



## CANADIAN TOOL & DIE LTD.

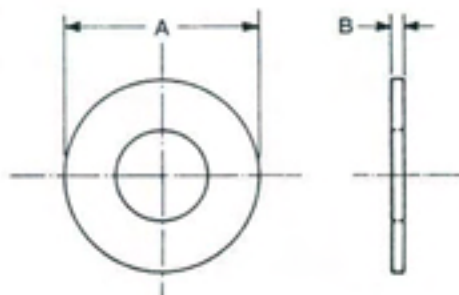
1331 Chevrier Blvd., Winnipeg, Manitoba, Canada R3T 1Y4  
 Tel 204/453-6833 Fax 204/453-3803 e mail CDNT00L1@resonet.com





NUTS	THREADS	A	B	C
WB29	5/8-18 UNF	1 5/16	1 1/16	35/64
WB30	3/4-16 UNF	1 1/8	1 1/4	41/64
WB32	7/8-14 UNF	1 5/16	1 1/2	3/4
WB33	1 - 14 UNS	1 1/2	1 23/32	55/64
WB36	1 1/8-12 UNF	1 11/16	1 7/8	31/32
WB38	1 1/4-12 UNF	1 7/8	2 1/8	1 1/16
WB65	2-12 UNF	3 1/8	3 39/64	2 1/64
WB70	3/8 -12 UNF	2 1/16	2 5/16	1 3/16

## SPINDLE WASHERS



WASHER	SIZE	A	B
WA10	3/4	1 3/4	.119
WA12	7/8	2	.187
WA14	1 1/4	2 1/2	.156
WA17	1	2	.187
WA23	1 1/4	2 1/2	.250
WA34	1	2 1/8	.250
WA35	2 1/32	4	.250
WA43	3/4	1 3/4	.250







# HUB INDEX

HUB ORDER NO.	NO. OF BOLTS	PAGE
H410	4	7
H411	4	7
H411-1	4	7
H413	4	7
H413-2	4	7
H415	4	7
H415-1	4	7
H510	5	9
H511	5	9
H511-1	5	9
H511-3	5	9
H511-4	5	9
H517	5	9
H517-1	5	9
H518	5	9
H520	5	9
H525	5	9
H609	6	11
H610	6	11
H611	6	11
H611-1	6	11
H611-2	6	11
H611-3	6	11
H611-1-J	6	11
H612	6	11
H612-J	6	11
H613	6	11
H614	6	11
H615	6	11
H617	6	12
H618	6	12

HUB ORDER NO.	NO. OF BOLTS	PAGE
H628	6	12
H630	6	12
H630-1	6	12
H631	6	12
H632	6	13
H632-J	6	13
H633	6	13
H633-1	6	13
H635	6	13
H636	6	13
H811	8	15
HD812	8	15
HD812-1	8	15
HD812-2	8	15
HD812-3	8	15
HD812-5	8	15
HD812-13	8	15
H817	8	15
H817-1	8	15
H819	8	16
H819-J	8	16
H819-3-J	8	16
HD820	8	16
HD820-1	8	16
H1010	10	17
H1010-1	10	17
H1010-3	10	17
H1010-11	10	17
HD1020	10	18
HD1021	10	18

## CANADIAN TOOL & DIE LTD.

1331 Chevrier Blvd., Winnipeg, Manitoba, Canada R3T 1Y4  
 Tel 204/453-6833 Fax 204/453-3803 e mail CDNTOOL1@resonet.com



# WHEEL INDEX BY RIM SIZE



RIM	WHEEL ORDERING NUMBER	NO. BOLTS	BOLT CIRCLE (IN.)	PILOT HOLE (IN.)	OFFSET	CAPACITY	PAGE
14 X 5 KB	14051-0432N1N	4	5.00	3.62	-.38	1250	6
14 X 5 KB	14051-0541N1N	5	5.50	4.00	-.25	2000	8
14 X 6 KB	14063-0541N1N	5	5.50	4.00	-.25	2000	8
14 X 6 KB	14063-0625N2N	6	6.00	4.62	+1.12	2800	10
14 X 8 KB	14081-0541N1N	5	5.50	4.00	-.25	2000	8
14 X 8 KB	14081-0625N2N	6	6.00	4.62	+1.12	2800	10
15 X 4.5KB	15041-0432N1N	4	5.00	3.62	-.38	1250	6
15 X 4.5KB	15041-0542N1N	5	5.50	4.62	-.38	1250	8
15 X 5 KB	15051-0432N1N	4	5.00	3.62	-.38	1250	6
15 X 5 KB	15051-0542N1N	5	5.50	4.00	-.25	2000	8
15 X 5 KB	15051-0624N2N	6	6.00	4.62	+1.12	2700	10
15 X 6 LB	15061-0432N1N	4	5.00	3.62	-.38	1250	6
15 X 6 LB	15061-0433N1N	4	5.00	3.62	-.38	1250	6
15 X 6 LB	15061-0542N1N	5	5.50	4.00	-.25	2000	8
15 X 6 LB	15161-0624N1N	6	6.00	4.62	+1.12	2800	10
15 X 6 LB	15061-0624N1N	6	6.00	4.62	+1.12	3000	10
15 X 6 LB	15061-0627N1N	6	6.00	4.62	+1.12	3800	10
15 X 6 LB	15061-0815N1N	8	8.00	6.00	-1.50	5000	14
15 X 8 LB	15081-0433N1N	4	5.00	3.62	-.38	1500	6
15 X 8 LB	15081-0542N1N	5	5.50	4.00	-.25	2000	8
15 X 8 LB	15081-0624N1N	6	6.00	4.62	+1.12	3000	10
15 X 8 LB	15081-0627N1N	6	6.00	4.62	+1.12	3800	10
15 X 8 LB	15081-0815N1N	8	8.00	6.00	-1.50	5000	14
15 X 10 LB	15101-0624N1N	6	6.00	4.62	+1.12	3000	10
15 X 10 LB	15101-0627N1N	6	6.00	4.62	+1.12	3800	10
15 X 10 LB	15101-0815N1N	8	8.00	6.00	-1.50	5000	14
15 X 10 LB	15101-0815R6N	8	8.00	6.00	+.38	5000	14
16 X 6 LB	16061-0628N1N	6	6.00	4.62	+1.12	3800	14
16 X 6 LB	16061-0628N2N	6	6.00	4.62	+.657	3800	10
16 X 6 LB	16061-0816N1N	8	8.00	6.00	-1.50	4000	14
16 X 8 LB	16081-0628N1N	6	6.00	4.62	+1.12	3800	10
16 X 8 LB	16081-0816N1N	8	8.00	6.00	-1.50	5000	14
16 X 10 LB	16101-0628N1N	6	6.00	4.62	+1.12	3800	10
16 X 10 LB	16101-0816N1N	8	8.00	6.00	-1.50	5000	14
16 X 10 LB	16101-0816R2N	8	8.00	6.00	+1.03	5000	14



## CANADIAN TOOL & DIE LTD.

1331 Chevrier Blvd., Winnipeg, Manitoba, Canada R3T 1Y4  
 Tel 204/453-6833 Fax 204/453-3803 e mail CDNT00L1@resonet.com



**CANADIAN TOOL & DIE - ESTABLISHED 1947**



The Canadian Tool & Die head office is located in Winnipeg, Manitoba, the centre of agricultural machinery manufacturing in North America.

We have extensive experience in the manufacturing of Hubs, spindles, Wheels, OEM Cylinders and Replacement Cylinders for Agricultural and Industrial use. All our products have a one year warranty.

Product improvement is a continuing process at CTD. Our research and development people are constantly in touch with the market, enabling us to stay in the forefront of the industry, meeting the challenges of tomorrow!

We maintain rigid quality standards through all phases of production.

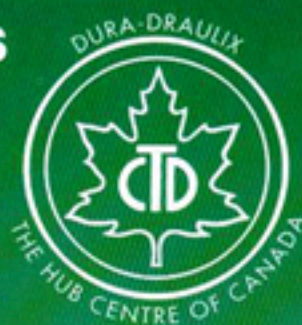
Canadian Tool & Die has built a reputation for quality, dependability and service throughout Canada and the United States. Whatever your needs are, we are ready to serve you, as we have for over fifty years.

## **CANADIAN TOOL & DIE LTD.**

1331 Chevrier Blvd., Winnipeg, Manitoba, Canada R3T 1Y4  
Tel 204/453-6833 Fax 204/453-3803 e mail CDNT00L1@resonet.com



# Canadian Tool & Die Ltd. and its associated companies supply:



Since 1947



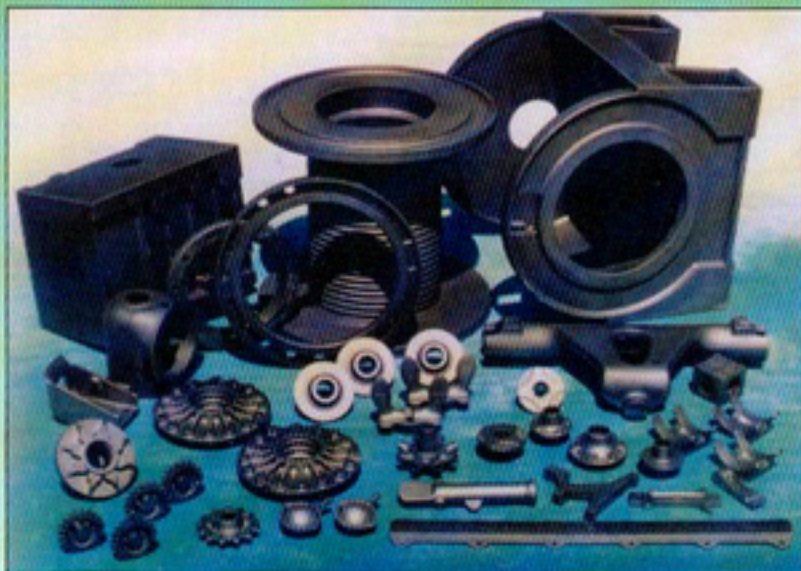
• Wheels • Hubs • Spindles



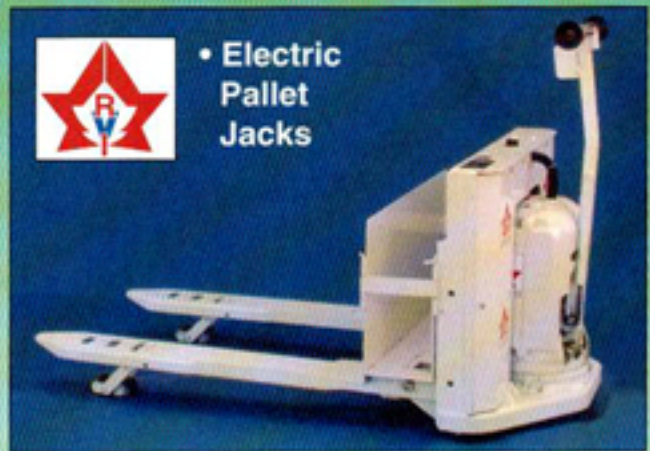
• Hydraulic Cylinders  
• Precision Machining  
• Stampings



• Implement Hitches



• Electric Pallet Jacks



• Castings - Ductile, High Chrome & Grey Iron Raw or Machined

## CANADIAN TOOL & DIE LTD.

1331 Chevrier Boulevard, Winnipeg, MB Canada R3T 1Y4  
Phone 204/453-6833 Fax 204 / 453-3803 e mail: CDNT00L1@resonet.com